

# S34P User Manual



Electrically powered scooter  
Class A (EN 12184)

**WARNING:** Please read the user manual before operating this scooter

**Pride**  
Mobility Products Corp.

182 Susquehanna Ave.  
Exeter, PA 18643

1-800-800-8586

[www.pridemobility.com](http://www.pridemobility.com)

# SAFETY INSTRUCTION

## ◆ General



Always use a seat belt, and keep your feet on the scooter all the time.



Never operate the scooter while you are under the influence of alcohol.



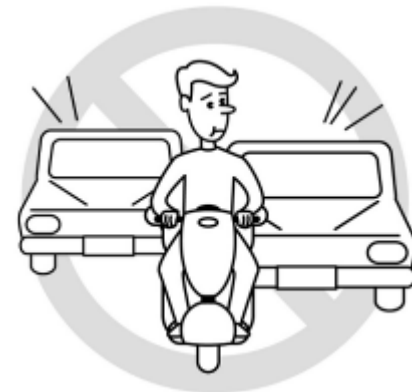
Never use electronic radio transmitters such as walkie-talkies, or cellular phones.







Make sure that there are no obstacles behind you while reserving your scooter.



Do not make a sharp turn or a sudden stop while riding your scooter.



Do not rider your scooter in traffic.

 <p>Do not attempt to climb curbs greater than limitation show on Technical Specification</p>	 <p>Do not leave your hands and legs off the scooter when driving.</p>
 <p>Do not rider your scooter during snow in order to avoid accident on slippery road.</p>	 <p>Do not allow unsupervised children to play near this equipment while the batteries are charging.</p>

- ◆ Warning – Don't operate your scooter for the first time without completely reading and understanding this user manual.
- 1. Don't operate scooter on public streets and roadways. Be aware that it may be difficult for traffic to see you when you are seated on the scooter. Obey all local pedestrian traffic rules. Wait until your path is clear of traffic, and then proceed with extreme cautions.
- 2. To prevent injury to yourself or others, always ensure that the power is switched off when getting on or off of the scooter.
- 3. Always check that the drive wheels are engaged (drive mode) before driving. Do not switch off the power when the scooter is still moving forward. This will bring the chair to an extremely abrupt stop.
- 4. Do not use this product or any available optional equipment without first completely reading and understanding these instructions. If you are unable to understand the warnings, cautions or instructions, contact a healthcare professional, the dealers or technical supports before attempting to use this equipment, otherwise, injury or damage may occur.
- 5. There are certain situations, including some medical conditions, where the scooter user will need to practice operating the scooter in the presence of a trained attendant. A trained attendant can be defined as a family member or care professional especially trained in assisting

a scooter user in various daily living activities. Consult with your physician if you are taking any medication that may affect your ability to operate your scooter safely.

6. Do not attempt to lift or move a power scooter by any of its removable parts including the armrests, seats or shrouds. Personal injury and damage to the power chair may result.
7. Never try to use your scooter beyond its limitations as described in this manual.
8. Please do not sit on your scooter while it is in a moving vehicle.
9. Keep your hands away from the wheels (tires) while driving scooters. Be aware that loose fitting clothing can become caught in the drive tires.
10. Consult your physician if you are taking prescribed medication or if you have any certain physical limitations. Some medications and limitations may impair your ability to operate scooters in a safe manner.
11. Be aware when the drive mode is unlocked or locked.
12. Don't remove anti-tipper if there is any-tipper equipped with the scooter.
13. Contact with tools can cause electrical shock and do not connect an extension cord to the AC/DC converter or the battery charger.
14. Do not attempt to lift or move your scooter by any of its removal parts, such as the armrests, seats, or shroud.
15. When climbing an incline, don't drive at an angle up the face of the incline. Drive your scooter straight up the incline. This greatly reduces the possibility of a tip or a fall.
16. Don't climb a slope steeper than the scooter's limitation.
17. Don't attempt to have your scooter proceed backward down any step, curb or other obstacle. This may cause the scooter to fall or tip.
18. Always reduce your speed and maintain a stable center of gravity when cornering sharply. Don't corner sharply when driving scooters at higher speeds.
19. Operating in rain, snow, salt, mist conditions and on icy or slippery surfaces may have an adverse affect on the electrical system.
20. Never sit on your scooter when it is being used in connection with any type of lift or elevation product. Your scooter is not designed with such use in mind and any damage or injury incurred from such use is not the responsibility of Heartway.
21. Surfaces of the power scooter that can come into direct contact with the occupant's skin and/or assistant's skin during normal use and that are within occupant reach shall not exceed 41 °C. The motor surface can reach temperatures greater than 41°C after driving. Do not touch these parts when disassembling the scooter or wait until the motor is cooled down.
22. The programming of the controller shall only be carried out by personnel, which is authorized by his manufacturer. A wrong programming can result in safety hazards for the occupant!
23. If the power scooter is switched off while driving on the horizontal at maximum speed at 7 km/h, it will come to a stop with the maximum stopping distance of 1.2 m. Please consider this distance when driving.
24. Drive-wheel needs to be switched to engaged-mode while transporting the power scooter with a car or airplane.
25. Surface temperatures can increase when exposed to external sources of heat.

### ◆ **Modifications**

Heartway Medical Product has designed and engineered power scooters to provide maximum utility. However, under no circumstances should you modify, add, remove, or disable any part or function of your power scooter. Personal injury and damage to the power chair may result.

1. Do not modify your power scooter in any way not authorized by Heartway. Do not use accessories if they have not been tested or approved for Heartway products.

### ◆ **Inspections prior to using your power scooter:**

1. If equipped with pneumatic tires, please check for proper tire inflations.
2. Please check all electrical connections and make sure they are tight and not corroded.
3. Please check all harness connections and make sure they are secured properly.
4. Please check the brakes.

### ◆ **Weight limitation.**

1. Please refer to the specifications table for weight capacity information. Power scooter is rated for a maximum weight capacity.
2. Stay within the specified weight capacity for your scooter. Exceeding the weight capacity voids your warranty. Heartway will not be held responsible for injuries or property damage resulting from failure to observe weight limitations.
3. Don't carry passengers on scooters. Carrying passengers on scooter may affect the center of gravity, resulting in a tip or a fall.

### ◆ **Tire inflation**

1. If your scooter is equipped with pneumatic tires, it is necessary to check the air pressure at least one time a week.
2. Proper inflation pressures will prolong the life your tires and ensure the smooth operation while riding.
3. Do not under-inflate or over-inflate your tires. It is critically important that 30-25 psi (2-2.4bar) tire pressure be maintained in pneumatic tires at all times.
4. Inflating your tires from an unregulated air source could over-inflate them, resulting in a burs tire.

### ◆ **Temperature**

1. Some of the parts of the power scooter are susceptible to change in temperature. The controller can only operate in temperature that ranges between -25°C ~ 50°C.
2. At extreme low temperatures, the batteries may freeze, and your power scooter may not be able to operate. In extreme high temperatures, it may operate at slower speeds due to a safety feature of the controller that prevents damage to the motors and other electrical components.

# ELECTROMAGNETIC INTERFERENCE (EMI)

The rapid development of electronics, especially in the area of communications, has saturated our environment with electromagnetic (EM) radio waves that are emitted by television, radio and communication signals. These EM wave are invisible and their strength increases as one approach the source. All electrical conductors act as antennas to the EM signals and, to varying degrees, all power wheelchairs and scooters are susceptible to electromagnetic interference (EMI). The interference could result in abnormal, unintentional movement and/or erratic control of the vehicle. The United States Food and drug Administration (FDA) suggests that the following statement be incorporated to the user's manual for all power scooter like the **S34P**. Power scooters may as susceptible to electromagnetic interference (EMI), which is interfering electromagnetic energy emitted from sources such as radio stations, TV stations, amateur radio (HAN) transmitter, two-way radios, cellular phones and alarm systems of shops. The interference (from radio wave sources) can cause the power scooter to release its brakes, move by itself or move in unintended directions. It can also permanently damage the powered scooter's control system. The intensity of the EM energy can be measured in volts per meter (V/m). Each powered scooter can resist EMI up to a certain intensity. This is called "immunity level". The higher the immunity level the greater the protection. At this time, current technology is capable of providing at least 20 V/m of immunity level, which would provide useful protection against common sources of radiated EMI.

Following the warnings listed below should reduce the chance of unintended brake release or powered scooter movement that could result in serious injury:

1. Do not turn on hand-held personal communication devices such as citizens band (CB) radios and cellular phones while the powered scooter is turned on.
2. Be aware of nearby transmitters such as radio or TV stations and try to avoid coming close to them.
3. If unintended movement or brake release occurs, turn the powered scooter off as soon as it is safe.
4. Be aware that adding accessories or components, or modifying the powered scooter, may make it more susceptible to interference from radio wave sources (Note: It is difficult to evaluate the effect on the overall immunity of the powered scooter).
5. Report all incidents of unintended movement or brake release to the powered scooter manufacturer, and note whether there is a radio wave source nearby.

TURN OFF YOUR POWERED SCOOTER AS SOON AS POSSIBLE WHEN EXPERIENCING THE FOLLOWING:

- Unintentional scooter movements
- Unintended or uncontrollable direction.
- Unexpected brake release

The FDA has written to the manufacturers of power scooters asking them to test new products to be sure they provide a reasonable degree of immunity against EMI. The FDA requires that a powered wheelchair should have an immunity level at least 20 V/m, which provides a reasonable degree of protection against more common sources of EMI. The higher the immunity level the greater the protection. Your powered scooter has an immunity level of 20 V/m which should protect against common sources of EMI. Warning: The scooter itself can disturb the performance of the electromagnetic fields such as emitted by alarm systems of shops.

# TECHNICAL SPECIFICATIONS

MODEL	S34P
WEIGHT CAPACITY	115 KG (250 lbs)
SEAT: TYPE/SIZE	16" Fish-on
DRIVE WHEEL	200mmx50mm(8"x2")
FRONT CASTER (WHEEL)	180mmx40mm(7"x1.6")
REAR CASTER (ANTI-TIPPER)	YES
MAX SPEED	6 KM/H
BATTERY SPECIFICATIONS	24V 11.5Ah Li-Polymer / 12V 12AHX 2 pcs
BATTERY RANGE	20km (Lithium) / 15 Km (Lead acid)
CHARGER TYPE	2.5Amp,110/240 Volt, Li-ION Charger
CONTROLLER TYPE	S-DRIVE 45Amp
MOTOR TYPE	4-Pole 270W
WEIGHT: W/ BATTERY	25.6kgs(56 lbs)
WEIGHT: W/O BATTERY	22kgs(48.5 lbs)
TURNING RADIUS	820mm
SUSPENSION	INDEGO SUSPENSION
LENGTH	930mm
WIDTH	485mm
HEIGHT	945mm
Folded Size	750mm*485mm*450mm
SEAT WIDTH	410mm
SEAT HEIGHT	320mm
SEAT DEPTH	330mm
BACK HEIGHT	360mm
WHEEL BASE	695mm
GROUND CLEARANCE	60mm
FOOTRESTS	420mm

The scooter travelling range depends on the road conditions, battery quality and tire pressure  
**Max Safe Slope: 6 Degree**

# ADJUSTMENT

It is very easy to assemble your S34P scooter. Please follow the procedure below.

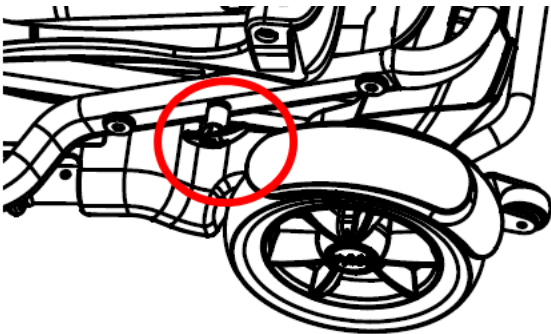
S34P power scooter has aluminum alloy body and can be easily folded to fit in the car for transportation.



Simple Steps to open and close your scooter

How to open your scooters

- 1) Pull the red lever on the left side of the scooter by the seat to release the lock



- 2) Unfold the scooter by pushing the tiller forward



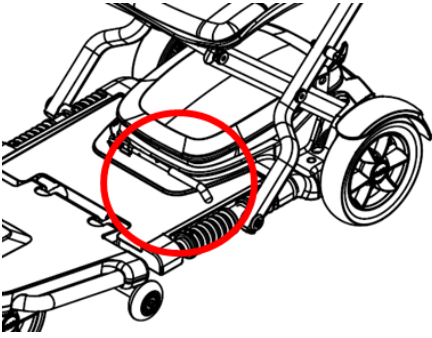
- 3) Lock the scooter onto the open position by pulling the seat up and pushing the tiller forward until a click sound is heard.





## How to close your scooters

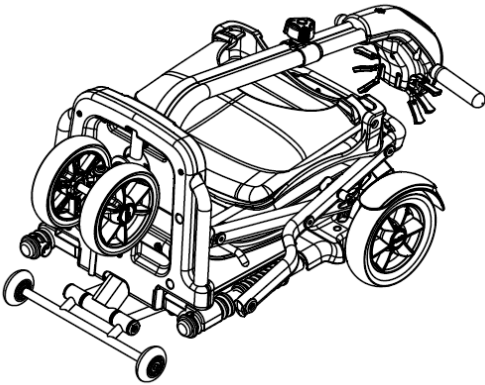
- 1) Pull the red lever on the floorboard of the scooter to release the lock.



- 2) Fold the seat backrest down and then fold the tiller downward



- 3) Lock the scooter onto the closed position by pushing the tiller down until a lock is heard.



# OPERATION OF CONTROL PANEL

The power scooter is simple to operate. However, we recommend that you read carefully the following instructions to become familiarized with your new vehicle.

## **A Word of Caution:**

Before you turn the power on, always be aware of the environment that surrounds you to select your desired speed. For indoor environments we recommend that you select the slowest speed setting. For outdoor operation of this vehicle we recommend that you select a speed that is comfortable for you to control it safely. The following steps are required to operate your vehicle safely with the controller.



## **Button functions**

1. **Battery Indicator:** When your scooter is switched on, the needle on the meter will move across the scale from the left 'red' sector towards the 'green' sector, indicating the state of charge in your batteries. As the power is used up in your batteries, the needle will slowly towards the 'red' sector indicating the state of charge at that precise time. When the needle is fully over to the right, the batteries are fully charged. When the needle falls towards the red sector, your batteries are losing power, but you will still have power to spare. When the needle falls into the red sector, your batteries are low in power and need to be

recharged. It is wise to recharge your batteries when the needle enters the red zone (see Batteries and Battery Charging section of this manual).

2. High/Low Speed Adjustment: This allows you to pre-select your desired speed. The adjuster is proportional to speed and can be set anywhere between minimum and maximum. Turn the adjuster knob counter-clockwise to minimum for a very gentle operation, and clockwise towards maximum to increase your speed.
3. Power ON/OFF Light: The light will turn on if you insert the key. The light will turn off if you take out the key.
4. Horn button: Press this button to sound the horn.( Easy operation for left hand or right hand)

### Driving:

#### A) Controller ON/OFF Switch

Insert the key to power on the scooter (Remove the key to power off). Swing the finger lever control forward or backward to control the driving direction of the scooter (The finger lever control is located at both sides of the controller and the returning of the finger lever control to its neutral position,(center), will reduce the speed and stop the vehicle by automatically applying the electro-magnetic brakes.



Finger Lever Control

Force Applied on Lever is 4N

The deeper you press on the finger lever (forward / backward), the faster the vehicle will go

## B) Speed Control

Turn the adjuster knob clockwise towards maximum to increase your speed, and counter-clockwise toward minimum to slow down your speed.

## C) Finger Lever Control

The finger lever control can also control the speed of your vehicle. The deeper you press on the finger lever (forward / backward), the faster the vehicle will go.

### Notes:

- ⇒ After inserting the key into controller ON/OFF port, the light of power ON/OFF will turn on for a few seconds during self-checking process.
- ⇒ When the vehicle is in operation, the surface of the charger will become slightly warm.
- ⇒ In case of emergency, let go of the finger lever control and the vehicle will come to a stop.

### Control Panel Display

1. The control panel display is a multifunction visual display. It can provide a lot of information of the vehicle. When the needle falls into the red sector, your batteries are low on power and need to be recharged. It is wise to recharge your batteries when the needle enters the red zone. The remaining battery needle only goes lower when using the battery, regardless the battery voltage. The remaining battery meter needle goes higher only when recharging battery in progress.
2. System will power off when the battery voltage is lower than 21.0V.
3. System will be automatically power-off when the vehicle is not in use over 30 minutes. You need to remove the key and insert the key to restart the scooter.
- 4.

### Free-Wheeling:

1. The motors are designed to engage the electromagnetic brakes when the vehicle is not in use or when the power is OFF. They also have a manual feature that allows them to “free-wheel” so the scooter can be moved without turning it on. Free-wheeling is accomplished by adjusting the free-wheeling levers to the free-wheeling position.



Free- Wheeling Lever/ Maximum required hand-arm force on the lever is 19 N for engaging and 35 N for disengaging

**Warning !**

- ⇒ Never free-wheel S34P on a slope.
- ⇒ Never free-wheel the motors while operating your vehicle.
- ⇒ Always remember to engage the motors before turning the power ON.
- ⇒ Do not attempt to disengage the drive motors while seated on your S34P. Personal injury may result. Ask your attendant for assistance.
- ⇒ Do not disengage the drive motors while on an incline. This power mobility could roll uncontrollably on its own, causing personal injury.

**Electromagnetic Brakes:**

Your power scooter comes with Electromagnetic Brakes., i.e. an automatic magnetic disc safety brake which is also known as Fail-Safe brake. The electro-magnetic Brakes are automatic and work when the power scooter is ON but in a steady state (i.e. Wigwag is released to the neutral position), even when the scooter is on a slope. The Electromagnetic Brakes will also be set whenever the power scooter is OFF, but the motor levers are in the engaged (vertical) position.

**Parking brake:**

There is an automatic parking brake function included in the electromagnetic brake. The scooter will stop when the motor is engaged and the power switch is off or when the power switch is on and the wigwag is in the neutral position. If the scooter is in the free wheel mode (motor is disengaged), you can use the manual parking brake function by moving the engaging/disengaging lever back into the engaged position by an attendant.

**Thermal Protection:**

Your power scooter controller is equipped with a safety system called thermal rollback. A built-in circuit monitors the temperature of the controller and motor. In case of excessive heat of the controller and motor, the controller will cut-off the power to allow the electrical components to cool down. Although your power scooter will resume its normal speed when the temperature returns to a safe level, we recommend to wait for 5 minutes before restarting to allow the components to cool down.

# BATTERY & CHARGING INSTRUCTION

## Lead-Acid Battery

We recommend that you use deep-cycle batteries that are sealed and maintenance free for your power scooter. Both sealed lead-acid (SLA) and gel cell are deep-cycle batteries and are similar in performance. Deep-cycle batteries are specifically designed to provide power, drain down, and then accept a relatively quick recharge. Lead-acid batteries should be charged as often as possible.

### Specification of Lead Acid Battery

Type:	Deep –cycle sealed lead-acid or gel cell
Size:	12AH
Voltage:	12V each
Amp Hours:	12 amp hours

Depending on the use, terrain and driving conditions, the batteries will provide a range of 15 km of travel. However, even if the power scooter is not in use, we recommend that the batteries are charged periodically. Note: Do not use any automotive batteries. They are not designed to handle a long, deep discharge and also are unsafe for use in power scooter. The useful life of a battery is quite often a reflection of the care it receives.

**IMPORTANT NOTICE:** Do not dispose of batteries in fire. Batteries should be recycled or disposed of as per state and local guidelines.

## Lithium Battery (11.5A)

Nominal Voltage	24V
Nominal Capacity	11500 mAh
Charging Current	2,000 mA
Charging Time	5-6 Hours
Ambient	Charge 0 C to +45 C (+32 F to 113 F)
	Discharge -20 C to + 65 C (-4F to 140 F)
Temperature Storage	< 30 C (86 F)
Weight	Max 2 Kg

### **IMPORTANT NOTICE**

**In order to maximize the lifespan of lithium batteries, they need to be given a full charge before use and make sure they are fully charged and disconnected from the scooter prior to storage.**

### **BATTERY CHARGER**

The battery charger takes the standard wall outlet voltage (alternating current) and converts it into DC voltage (direct current).The batteries use direct current to run your power scooter. When the batteries are fully charged, the amperage from the charger is almost at zero. This is how the charger maintains a charge but does not overcharge the battery.

Note 1: The batteries cannot be charged if they were discharged to nearly zero voltage.

Note 2: The powered scooter meet the requirement of ISO 7176-14:2008 and ISO 7176-21:2003.

Note 3: Only use the battery charger type 4C24050A which was provided by the scooter supplier. The use of any different type of charger can be hazardous and need the approval of the manufacturer.

## **CHARGING INSTRUCTIONS**

To recharge the batteries, follow the steps below:

- ⇒ Place your power scooter close to a standard electrical wall outlet.
- ⇒ Remove your key to turn the power OFF
- ⇒ Slide the charger port door open.
- ⇒ Plug the XLR connector of the charger to the charger port.
- ⇒ Plug the other end of power cord into a standard wall outlet.
- ⇒ When charging is completed, battery capacity indicator is shown.
- ⇒ Disconnect the charger power cord from the wall outlet when the batteries are fully charged.

Recharge battery only when the key is in off position. When indicator is in low status, this confirms the battery needs recharging.

### **Note:**

- ⇒ Always charge your batteries in well ventilated areas.
- ⇒ The charger is intended for indoor use only. Protect from moisture.
- ⇒ For maximum performance, it is recommended that you replace both batteries at the same time if the batteries are weak.
- ⇒ If the vehicle will not be used for a long period of time, arrange to have the batteries recharged at least once every month to avoid deterioration of the batteries.

According to the battery type and condition of the batteries, they usually can be fully charged in 4-10 hours. This will be indicated when the status light in the battery charger side panel turns green. Charging the battery longer than necessary will not harm the battery. We recommend that you charge the batteries for 8 to 10 hours after daily use.

## **BATTERY INDICATOR**

A battery indicator is to provide information about the travelling range remaining.

<b>Indicator</b>	<b>Travelling Range Remaining</b>
Full	15 km Traveling Range Remaining
Green Area	7~15 km Travelling Range Remaining
Yellow Area	4~7 km Travelling Range Remaining
Red Area	1~4 km Travelling Range Remaining
End	0 Kilometer

# MAINTENANCE & REPAIR

Your power scooter is designed for minimal maintenance. However, like any motorized vehicle it requires routine maintenance. To keep your S34P for years of trouble-free operation, we recommend you follow the following maintenance checks as scheduled.

## DAILY CHECKS

1. Visual check on the conditions of tires.
2. Inspect the battery condition meter on the controller to determine if batteries need to be charged.

## MONTHLY CHECKS

1. Visually inspect the controller harnesses. Make sure that they are not frayed, cut or have any exposed wires.

## SEMI-ANNUAL CHECKS

1. Check the motor brushes. We recommended that your authorized dealer inspect the brushes every six months or sooner if your power scooter is not operating smoothly. If inspection determines excessive wear on the brushes, they must be replaced or motor damage will result.

## CHECKS:

- Make sure to keep the controller clean while protecting it from rain or water. Never hose off your power scooter or place it in direct contact with water.
- Keep wheels free from lint, hair, sand and carpet fibers.
- Visually inspect the tire tread. If less than 1mm ( $1/32''$ ), please have your tires replaced by your local dealer.
- All upholstery can be washed with warm water and mild soap. Occasionally check the seat and back for sagging, cuts and tears. Replace if necessary. Do not store your scooter in damp or humid conditions as this will lead to mildew and rapid deterioration of the upholstery parts.
- All moving mechanism will benefit from simple lubrication and inspection. Lubricate using petroleum jelly or light oil. Do not use too much oil, otherwise small drips could stain and damage carpets and furnishings etc. Always perform a general inspection of the tightness of all nuts and bolts.



# TROUBLESHOOTING & FAULT REPAIR

P&G S-Drive 45 Amp controller: Your scooter is fitted with S-Drive controller, which continuously monitors the operating conditions of your scooter. If it detects a problem it will indicate with error message by flashing light on the power ON/ OFF light. You must count the number of the flash, and see the list to check what kind of error has happened according to the number)

Flash	Description
1	The battery needs charging or there is a bad connection to the battery. Check the connections to the battery. If the connections are good, try changing the battery
2	There is a bad connection to the motor. Check all the connections between the motor and the controller
3	The motor has a short circuit to a battery connection. Contact your service agent.
4.	The freewheel switch is activated or the manual brake disengagement mechanism is operated. Check the position of the switch of lever.
5	Not used
6	The S-Drive is being inhibited from driving. Inhibit 2 is active. This may be because the battery charger is connected or the seat is no in the driving position.
7	A throttle fault is indicated. Make sure that the throttle is in the rest position before switching on the scooter.
8.	A controller fault is indicated. Make sure that all connections are secured.
9.	The parking brakes have a bad connection. Check the parking brake and motor connections. Make sure the controller connections are secured.
10.	An excessive voltage has been applied to the controller. This is usually caused by a poor battery connection. Check the battery connections.

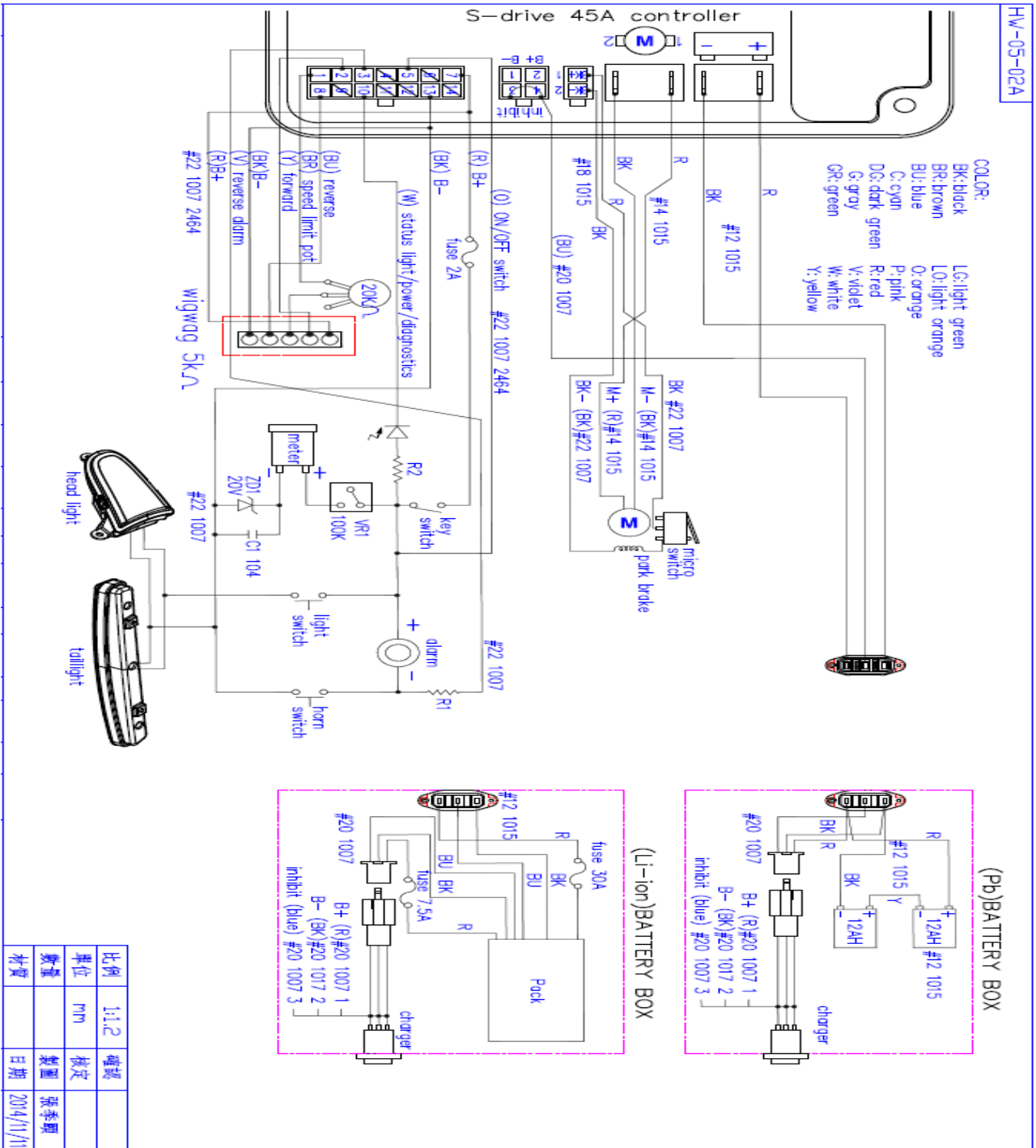
Note:

If you experience any technical problems, it is recommended that you check with your local dealer before attempting to troubleshoot on your own.

The following symptoms could indicate a serious problem with your power scooter. Contact your local dealer if any of the following arises:

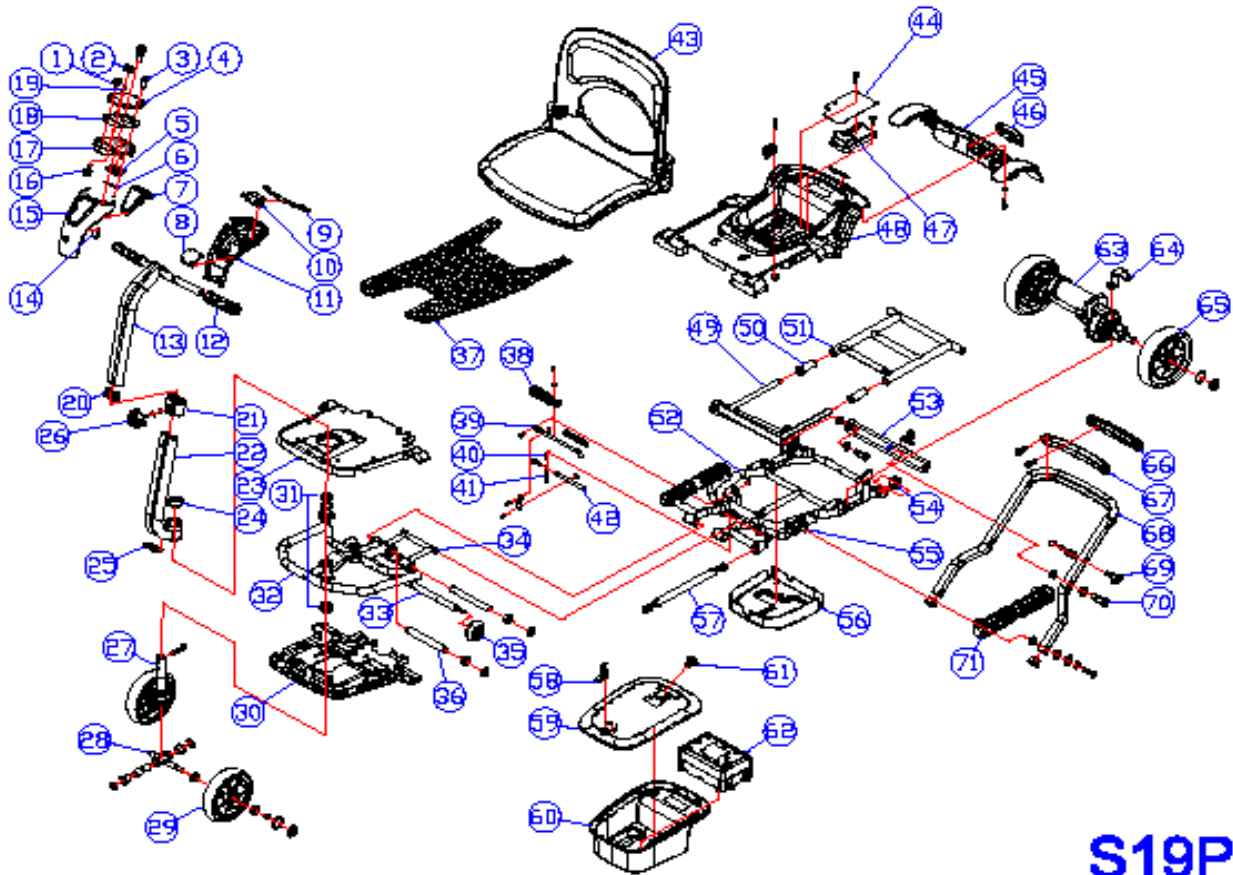
1. Motor noise
2. Frayed harnesses
3. Cracked or broken connectors
4. Uneven wear on any of tires
5. Jerky motion
6. Pulling to one side
7. Bent or broken wheel assemblies
8. Does not power up
9. Powers up, but does not move

# CIRCUIT DIAGRAM



# BOM LIST DRAWING

- |                              |                           |                             |
|------------------------------|---------------------------|-----------------------------|
| ① HEADLIGHT SWITCH WIRING    | ②⑥ LOCKING KNOB           | ⑤⑩ SEAT OUTER FRAME WELDING |
| ② SPEED ADJUSTING KNOB       | ②⑦ WELDED STEERING STEM   | ⑤⑩ MAIN FRAME               |
| ③ HORN BUTTON WITH WIRING    | ②⑧ FRONT SUSPENSION ASM   | ⑤⑩ INNER CROSS BAR          |
| ④ COVER                      | ②⑨ FRONT WHEEL            | ⑤⑩ ANTI-TIPPING WHEEL       |
| ⑤ POWER METER WIRING         | ③⑩ BOTTOM COVER           | ⑤⑩ BOTTOM TUBE WELDING      |
| ⑥ POWER METER BASKET         | ③⑩ STEERING STEM BEARING  | ⑤⑩ PROTECT COVER            |
| ⑦ HEADLIGHT                  | ③⑩ FRONT FRAME            | ⑤⑩ SLIDER BAR               |
| ⑧ PC BOARD                   | ③⑩ STEERING SHAFT WELDING | ⑤⑩ CAM LOCK                 |
| ⑨ ACCELERATOR                | ③⑩ CONNECTED BAR ASM      | ⑤⑩ BATTERY COVER            |
| ⑩ WIGWAG                     | ③⑩ ASSISTIVE WHEEL        | ⑤⑩ BATTERY BASE BOX         |
| ⑪ REAR TILLER COVER          | ③⑩ AXIS TUBE              | ⑤⑩ CHARGING SOCKET CIRCUIT  |
| ⑫ HANDLE GRIP                | ③⑩ CARPET                 | ⑤⑩ LITHIUM BATTERY          |
| ⑬ HANDLE BAR                 | ③⑩ PUSHING JACKET COVER   | ⑤⑩ TRANSAXLE                |
| ⑭ BUZZER                     | ③⑩ GUILLOTINE PULLING     | ⑤⑩ BREAKET OF TRANSAXLE     |
| ⑮ FRONT TILLER COVER         | ④⑩ SPRING                 | ⑤⑩ REAR WHEEL               |
| ⑯ SPEED POTENTIOMETER WIRING | ④⑩ LOCKING PIN            | ⑤⑩ BACKLIGHT                |
| ⑰ CONTROL PANEL              | ④⑩ GUILLOTINE PULLING     | ⑤⑩ BACKLIGHT COVER          |
| ⑱ CONTROL STICKER            | ④⑩ CHAIR                  | ⑤⑩ OUTER CROSS BAR          |
| ⑲ STATUS PILOT WIRING        | ④⑩ COVER                  | ⑤⑩ PULLING KNOB             |
| ⑳ PLUG OF HANDLE BAR         | ④⑩ REAR FENDER            | ⑤⑩ SCREW                    |
| ㉑ PLUG OF STEM               | ④⑩ REAR REFLECTER         | ⑤⑩ RUBBER DUST COVER        |
| ㉒ STEM                       | ④⑩ CONTROLLER             |                             |
| ㉓ FRONT COVER                | ④⑩ MAIN COVER             |                             |
| ㉔ PLUG                       | ④⑩ FRONT SEAT FRAME       |                             |
| ㉕ WIRE LEADING COVER         | ④⑩ PLUG OF SEAT FRAME     |                             |



**S19P**

# WARRANTY DECLARATION

## Manufacturer's Warranty as Following:

- Frame: Two-year limited warranty
- Controllers: One-and-a-half-year limited warranty
- Electronic Components and Charger: One-year limited warranty
- Warranty Exclusion. The following items are not covered by warranty.

- |                 |                 |                                  |
|-----------------|-----------------|----------------------------------|
| ✧ Motor brushes | ✧ Wheel Tires   | ✧ Arm Pads                       |
| ✧ Seat Cushion  | ✧ Fuses / Bulbs | ✧ Tiller Cover                   |
| ✧ Rear Shroud   | ✧ Front Shroud  | ✧ Batteries and Consumable parts |

Any damage or defect of any nature occurring from the misuse, abuse of the product, improper operation or improper storage is not to be covered. The warranty is to start from the date of arrival of our products.

Normally, the average lifespan of a scooter will last 5-year long. Heartway will be able to provide the spare-part support for five-year long after scooters purchased.

Note: If you encounter a damaged or cracked battery; please enclose it in a plastic bag and call the local authorized dealers immediately for instructions on disposal and recycling.

# S34P Manuel de l'utilisateur



Electrically powered scooter

Class A (EN 12184)

AVERTISSEMENT: Se il vous plaît lire le manuel avant d'utiliser ce scooter

**Pride**  
Mobility Products Corp.

182 Susquehanna Ave.  
Exeter, PA 18643

1-800-800-8586

[www.pridemobility.com](http://www.pridemobility.com)

# LES INSTRUCTIONS DE SÉCURITÉ

## ◆ Consignes générales



Portez toujours une ceinture de sécurité et gardez vos pieds sur le véhicule en tout temps.



N'utilisez pas le véhicule lorsque vos facultés sont affaiblies par l'alcool.



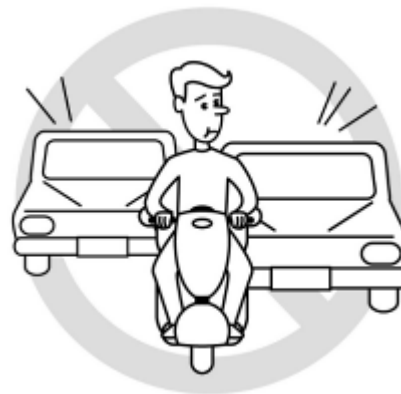
N'utilisez jamais les émetteurs-récepteurs portatifs ou les téléphones cellulaires sans avoir d'abord éteint le véhicule.



Assurez-vous qu'il n'y a pas d'obstacle derrière vous lorsque vous faites marche arrière.



N'effectuez pas de virages brusques ou d'arrêts soudains.



N'utilisez pas votre quadriporteur dans la circulation routière.



Ne franchissez jamais une bordure dont la hauteur excède les limites indiquées dans les instructions techniques.



Gardez toujours vos mains et vos pieds sur le quadricycle lorsque celui-ci est en marche.



Afin d'éviter les accidents, n'utilisez pas votre quadricycle dans la neige ou sur les chaussées glissantes.



Ne permettez pas aux jeunes enfants de jouer sans supervision près du quadricycle lorsque les batteries de celui-ci sont en chargement.

◆ **Avertissement – Assurez-vous d'avoir bien lu ce guide d'utilisation avant d'utiliser votre quadricycle.**

25. N'utilisez pas le quadricycle sur les voies publiques. Il est à noter que les automobilistes risquent d'avoir de la difficulté à vous voir lorsque vous êtes assis sur votre quadricycle. Respectez les règles de circulation piétonne. Attendez que la voie se libère avant de vous engager et avancez avec extrême précaution.
26. Afin de prévenir les blessures à soi et à autrui, assurez-vous de toujours bien éteindre le véhicule avant d'y monter ou d'y descendre.
27. Assurez-vous toujours que les roues motrices sont bien embrayées avant le départ. N'éteignez pas le véhicule lorsqu'il est encore en mouvement. Cela entraînerait un arrêt très brusque.
28. N'utilisez pas ce produit ou tout équipement optionnel disponible si vous n'avez pas lu et compris les instructions dans ce guide. Si vous ne comprenez pas les avertissements ou les instructions, contactez un professionnel de la santé, un détaillant ou un assistant technique avant d'utiliser le produit. Autrement, des blessures ou des dommages peuvent survenir.

29. Certains utilisateurs, tels que ceux atteints d'une condition médicale particulière, doivent s'entraîner à utiliser le quadriporteur en présence d'un préposé officiel. Un préposé officiel est une personne, membre de la famille ou professionnel de la santé, ayant reçu une formation pour assister un utilisateur de quadriporteur dans ses activités quotidiennes. Consultez votre médecin si vous prenez des médicaments qui risquent d'affaiblir votre capacité d'utiliser votre quadriporteur de façon sécuritaire.
30. Évitez de soulever ou de déplacer le véhicule en vous agrippant aux pièces amovibles, telles que les accoudoirs, les sièges et les enveloppes. Des dommages corporels et matériels pourraient survenir.
31. Ne dépassez jamais les limites d'utilisation définies dans ce guide.
32. Ne vous assoyez pas sur le quadriporteur lorsqu'on le transporte dans un véhicule.
33. Gardez vos mains éloignées des roues lorsque le quadriporteur est en marche. Faites attention car les vêtements vagues peuvent se faire prendre dans les roues.
34. Consultez votre médecin si vous prenez des médicaments d'ordonnance ou si vous souffrez de limitations physiques. Certains médicaments ou limitations peuvent affaiblir votre capacité d'utiliser le quadriporteur de façon sécuritaire.
35. Sachez lorsque le mécanisme d'entraînement (Drive) est verrouillé et déverrouillé.
36. Si le quadriporteur est équipé d'une roue antibascule, vous ne devez pas l'enlever.
37. Le contact entre le quadriporteur et certains outils peut entraîner une décharge électrique. Il ne faut pas brancher un fil de rallonge au convertisseur AC/DC ou au chargeur de batterie.
38. Évitez de soulever ou de déplacer le véhicule en vous agrippant aux pièces amovibles, telles que les accoudoirs, les sièges et les enveloppes.
39. Lorsque vous montez une pente, suivez toujours la ligne d'inclinaison. Ne traversez jamais une pente. Autrement, le quadriporteur peut basculer ou vous pouvez tomber.
40. Avant de monter une pente, assurez-vous que l'angle d'inclinaison n'excède pas les limites du quadriporteur.
41. Ne faites pas marche arrière sur une marche, une bordure ou tout autre obstacle. Votre quadriporteur pourrait basculer ou tomber.
42. Réduisez toujours votre vitesse lors d'un virage serré. N'effectuez pas de virages brusques lorsque le quadriporteur roule à grande vitesse.
43. La pluie, la neige, le sel, la brume et les chaussées glacées ou glissantes peuvent endommager les installations électriques du quadriporteur.
44. Ne vous assoyez pas sur le quadriporteur lorsqu'il se fait manipuler par un soulévateur ou par tout autre type d'engin élévateur. Votre quadriporteur n'est pas conçu pour une telle utilisation. Heartway se dégage de toute responsabilité en cas de dommage ou de blessures résultant d'une telle utilisation.

#### ◆ **Modifications**

Heartway Medical Product a conçu et fabriqué les quadriporteurs afin d'optimiser leur utilité. Il est à noter que vous ne devez jamais modifier, ajouter, enlever ou désactiver une pièce ou une fonction de votre quadriporteur. Des dommages corporels ou des dommages au quadriporteur pourraient survenir.

2. Ne modifiez pas le quadriporteur d'une manière qui n'est pas approuvée par Heartway. N'utilisez pas un accessoire qui n'a pas été testé ou qui n'est pas approuvé pour les produits Heartway.



3. Familiarisez-vous avec les capacités de votre quadriporteur. Heartway recommande d'effectuer un contrôle de sécurité avant chaque utilisation afin d'assurer le bon fonctionnement du quadriporteur.

◆ **Les contrôles à effectuer avant l'utilisation :**

5. Si votre quadriporteur est équipé de roues pneumatiques, vérifiez la pression de gonflage.
6. Vérifiez que les connexions électriques ne sont pas desserrées ou corrodées.
7. Vérifier les connexions de faisceaux.
8. Vérifier l'état des freins.

◆ **La capacité de poids :**

4. Consultez le tableau de spécifications pour connaître la capacité de poids. Le quadriporteur possède une capacité nominale de poids.
5. Il faut respecter la capacité de poids de votre quadriporteur. Autrement, la garantie est annulée. Heartway se dégage de toute responsabilité en cas de blessures ou de dommages matériels survenant suite au non-respect des limites établies pour la capacité de poids.
6. Le transport de passagers sur le quadriporteur est interdit puisque le centre de gravité du quadriporteur risque d'être modifié et le quadriporteur pourrait basculer ou tomber.

◆ **La pression de gonflage des pneus :**

5. Si votre quadriporteur est équipé de roues pneumatiques, vérifiez la pression des pneus au moins une fois par semaine.
6. Maintenir une pression de gonflage normale prolonge la vie de vos pneus et assure une conduite fluide.
7. Un pneu ne doit jamais être surgonflé ou insuffisamment gonflé. Il importe qu'une pression de gonflage de 30-25 psi (2-2.4 bar) soit maintenue en tout temps.
8. Si vous gonflez vos pneus à l'aide d'une source air non régulée, vous risquez un surgonflement et un éclatement des pneus.

◆ **La température atmosphérique :**

1. Certaines pièces du quadriporteur sont sensibles aux changements de température. Le système de contrôle fonctionne uniquement lorsque la température se situe entre -25 et 50 degrés Celsius.
2. Il se peut qu'à des températures extrêmement basses les batteries gèlent. Dans une telle situation, il se peut que le quadriporteur ne soit plus fonctionnel. Lorsque les températures sont extrêmement élevées, il se peut que la vitesse de fonctionnement du quadriporteur soit inférieure à la normale. Cette diminution de la vitesse est causée par une caractéristique de sécurité propre au système de contrôle qui sert à éviter les dommages au moteur et aux autres composantes électriques.

# LA PERTURBATION ÉLECTROMAGNÉTIQUE (EMI)

Le développement rapide de l'électronique, surtout dans le domaine des communications, sature l'environnement d'ondes radio électromagnétiques (EM) émises par les télévisions, les radios et les appareils de communications. Ces ondes EM sont invisibles et leur intensité augmente à mesure que l'on s'approche de la source. Tous les conducteurs électriques servent d'antennes aux signaux EM et tous les tri-quadriporteurs sont sensibles à la perturbation électromagnétique (EMI). La perturbation pourrait provoquer des mouvements anormaux et involontaires, ou un contrôle irrégulier du véhicule. Aux États-Unis, la FDA (la Food and Drug Administration) recommande que l'énoncé suivant soit intégré aux guides d'utilisation des véhicules tels que le **S34P**. Les tri-quadriporteurs peuvent être susceptibles à la perturbation électromagnétique (EMI) causée par l'énergie électromagnétique émise par des sources telles que les stations de radiocommunications, les stations de télédiffusion, les radioamateurs, les appareils radios émetteurs-récepteurs et les téléphones cellulaires. La perturbation (provenant d'ondes radio) peut causer un relâchement des freins ou un mouvement indésirable. Elle peut aussi causer des dommages irréparables au système de commande du véhicule. L'intensité de l'énergie électromagnétique est mesurée en volts par mètre (V/m). Chaque véhicule peut résister à une certaine intensité d'EMI. Cette capacité de résistance se nomme le "niveau d'immunité". Plus le niveau d'immunité est élevé, plus le véhicule est protégé. En ce moment, la technologie permet aux véhicules de résister à un minimum de 20 V/m, ce qui assure une protection contre les sources communes d'émission. Le respect des consignes de sécurité suivantes devrait réduire les risques de freinage ou de mouvements involontaires qui pourraient causer des blessures graves :

1. N'allumez pas les appareils de communication personnelle portatifs tels que les B.P. et les téléphones cellulaires lorsque le véhicule est en marche.
2. Repérez les sources d'émission à proximité, telles que les stations de radiodiffusion ou de télévision, et évitez de vous en approcher.
3. S'il se produit un mouvement ou un relâchement des freins involontaire, éteignez le véhicule dans les plus brefs délais.
4. Sachez que la modification du véhicule par l'ajout d'accessoires ou de composantes peut diminuer le niveau d'immunité du véhicule à l'EMI. (Note : Il est difficile d'évaluer l'impact sur le niveau d'immunité de l'ensemble du véhicule.)
5. Signalez tout mouvement ou relâchement des freins involontaire au fabricant du véhicule et notez s'il y a une source d'émission d'ondes radio à proximité.

VEUILLEZ ÉTEINDRE LE VÉHICULE AUSSITÔT QUE POSSIBLE DANS LES CAS SUIVANTS :

- Le véhicule fait des mouvements involontaires.
- Le véhicule prend une direction indésirée ou incontrôlable.
- Il se produit un relâchement des freins involontaire.

La FDA a envoyé une demande écrite aux fabricants de tri-quadriporteurs leur demandant de vérifier les nouveaux produits afin d'assurer leur niveau d'immunité à l'EMI. La FDA impose un niveau d'immunité d'au moins 20 V/m aux véhicules. Celui-ci assure une protection raisonnable contre les sources communes d'EMI. Plus le niveau d'immunité est élevé, meilleure est la protection. Le niveau d'immunité de votre tri-quadriporteur est de 20 V/m, ce qui devrait le protéger contre les sources communes d'EMI.

# LES CARACTÉRISTIQUES TECHNIQUES

Modèle	S34P
Capacité de poids	115kgs(250 lbs)
Siège	16" Fish-on
Roue Motrice	200mmx50mm(8"x2")
Roue pivotante avant	180mmx40mm(7"x1.6")
Roue pivotante arrière	YES
Vitesse maximale	6 KM/H
Batterie	24V 11.5Ah Li-Polymer
Capacité de batterie	20 KM
Type de chargeur	2.5Amp,110/240 Volt,Li-ION Charger
Type de contrôleur	S-DRIVE 45Amp
Type de moteur	4-Pole 270W
Poids avec batterie	25.6 Kgs (56 lbs)
Poids sans batterie	22kgs (48.5 lbs)
Rayon de braquage	820mm
Suspension	Front Suspension
Longueur	930mm
Largeur	485mm
Hauteur	945mm
Dossier	750mm*485mm*450mm
Empatement	695mm
Hauteur du sol	60mm
Maximum angle de monte	6 Degree
Reposes-pied	420mm

La gamme scooter de déplacement dépend de l'état des routes, la qualité de la batterie, et la pression des pneus. Pente sécuritaire Max: 6 degrés

## LES AJUSTEMENTS

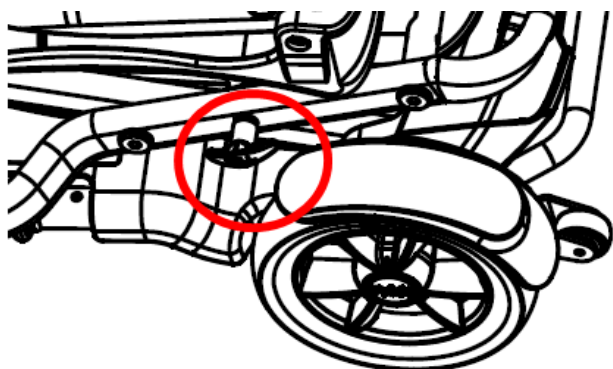
Il est très facile à monter votre scooter S34P. Se il vous plaît suivez la procédure ci-dessous. S34P puissance scooter a un corps en alliage d'aluminium et peut être facilement plié pour se adapter à la voiture pour le transport.



Étapes simples pour ouvrir et fermer votre scooter

Comment ouvrir vos scooters

Tirez le levier rouge sur le côté gauche du scooter par le siège pour le déverrouiller



Déplier le scooter en poussant la barre avant

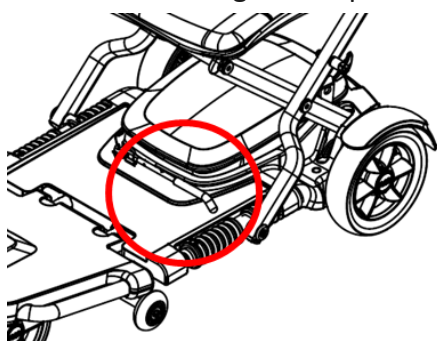


Verrouiller le scooter sur la position ouverte en tirant le siège et poussant la barre avant jusqu'à ce qu'un déclic se fasse entendre.



Comment fermer les scooters

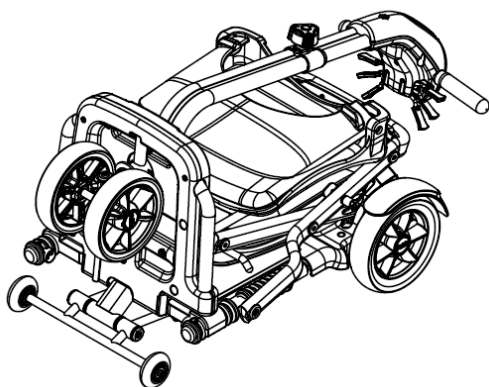
Tirez le levier rouge sur le plancher du scooter pour le déverrouiller.



Rabattez le dossier de siège vers le bas, puis plier la barre vers le bas



Verrouiller le scooter sur la position fermée en poussant la barre jusqu'à ce qu'un verrou est entendu.



# LE PANNEAU DE CONTRÔLE

Le quadriporteur est facile à utiliser. Vous devez toutefois lire les instructions dans ce guide afin de vous familiariser avec votre nouveau véhicule.

## Précautions importantes :

Avant d'allumer le quadriporteur, évaluez l'environnement dans lequel vous vous trouvez et choisissez votre vitesse en conséquence. Lorsque vous utilisez le quadriporteur à l'intérieur, on recommande de sélectionner la plus petite vitesse. Lorsque vous utilisez le quadriporteur à l'extérieur, on recommande de sélectionner une vitesse qui permet une utilisation sécuritaire du véhicule.

L'utilisation sécuritaire du quadriporteur dépend du respect des étapes ci-dessous.



## Les fonctions :

**1.** L'indicateur d'alimentation des batteries : Lorsqu'on allume le quadriporteur, l'aiguille de l'indicateur se déplace du rouge au vert. Cela indique la charge des batteries. Au fur et à mesure que la charge diminue, l'aiguille se déplace vers le rouge. Lorsque l'aiguille se trouve complètement à la droite, les batteries sont à pleine charge. Lorsque l'aiguille se déplace vers la section rouge, cela indique que les batteries se déchargent progressivement. Lorsque l'aiguille se trouve dans la section rouge, la charge des batteries est faible et vous

devez les recharger. On recommande de recharger les batteries aussitôt que l'aiguille pénètre dans la section rouge de l'indicateur d'alimentation (voir la section « Le chargeur à batteries » dans ce guide).

2. Vitesse petite/grande : Ce bouton permet de présélectionner la vitesse désirée. Le régleur est proportionnel à la vitesse et peut être réglé à n'importe quelle vitesse située entre le minimum et le maximum. Pour une petite vitesse, on tourne le régleur dans le sens anti-horaire. Pour augmenter la vitesse, on tourne dans le sens horaire.

3. Le voyant de mise en marche : Le voyant s'allume lorsque vous insérez la clé. Le voyant s'éteint lorsque vous retirez la clé.

4. Le klaxon: Appuyez sur le bouton pour actionner le klaxon. (Emplacement convivial pour la main gauche ou droite.)

### La conduite :

A) Le bouton de mise en marche

Pour allumer le quadriporteur, insérez la clé. (Retirez la clé pour éteindre le quadriporteur.) Utilisez les leviers **F** et **R** pour embrayer la marche avant et la marche arrière, respectivement, du quadriporteur. Les leviers **F** et **R** se trouvent du côté droit et gauche, respectivement, du quadriporteur. Lorsque le mécanisme de leviers est en position neutre (au centre), la vitesse diminue et le véhicule s'arrête grâce à l'actionnement automatique des freins électromagnétiques.



Finger Levier de commande  
Force appliquée sur levier est 4N  
Plus vous appuyez sur le levier de doigt  
(avant / arrière), plus le véhicule ira

B) Le bouton de vitesse

Tournez le régleur dans le sens horaire vers le maximum pour augmenter la vitesse. Tournez le régleur dans le sens anti-horaire vers le minimum pour diminuer la vitesse.

C) Le mécanisme de leviers **F** et **R**

Le mécanisme de leviers **F** et **R** peut aussi servir à contrôler la vitesse de votre quadriporteur. Plus vous enfoncez les leviers, plus la vitesse augmente.

Notes :

- ⇒ Lorsque vous insérez la clé dans le port de mise en marche, le voyant de mise en marche s'allume pendant quelques secondes durant l'autotest d'alimentation.
  
- ⇒ Lorsque le véhicule est en marche, la surface du chargeur devient légèrement chaude.
  
- ⇒ En cas d'urgence, relâchez le mécanisme de leviers **F** et **R** et le véhicule s'arrêtera doucement.

**Le panneau de contrôle**

Le panneau de contrôle offre un affichage visuel multifonctionnel. Il fournit beaucoup d'information sur l'état du véhicule. Lorsque l'aiguille pénètre dans la section rouge, cela indique que la charge des batteries est faible et que les batteries doivent être rechargées. On recommande de recharger les batteries aussitôt que l'aiguille pénètre dans la section rouge de l'indicateur d'alimentation. L'aiguille se déplace uniquement vers la gauche lorsque vous utilisez les batteries, et ce, peu importe la tension aux bornes des batteries. L'aiguille se déplace uniquement vers la droite lorsque vous rechargez les batteries.

Le système de contrôle s'éteint lorsque la tension aux bornes des batteries est inférieure à 21.0 V.

Le système de contrôle s'éteint automatiquement lorsque le véhicule n'est pas utilisé pendant plus de 30 minutes. Pour actionner de nouveau le système, vous devez alors retirer la clé et l'insérer de nouveau.



### **Dispositif de roue libre :**

Le moteur est conçu de façon à ce que les freins électromagnétiques s'actionnent automatiquement lorsque le véhicule n'est pas en marche ou lorsque l'alimentation est coupée. Le quadriporteur comporte une fonction manuelle qui permet de déplacer le véhicule sans l'allumer. Pour actionner le dispositif de roue libre, placez le levier de roue libre en position roue libre.



Levier de roue libre

### **Avertissement**

- ⇒ N'actionnez jamais le dispositif de roue libre lorsque vous êtes sur une pente.
- ⇒ N'actionnez jamais le dispositif de roue libre lorsque le quadriporteur est en marche.
- ⇒ N'oubliez jamais d'engager le moteur avant d'allumer l'alimentation.

### **Les freins électromagnétiques :**

Le quadriporteur est équipé de freins électromagnétiques, ou freins de sécurité. Ce sont des freins d'urgence composés de disques magnétiques. Les freins électromagnétiques sont automatiques et fonctionnent lorsque le quadriporteur est allumé et que le levier directionnel est à neutre (même lorsque le quadriporteur se trouve sur une pente). De plus, les freins électromagnétiques s'actionnent aussitôt que le quadriporteur est éteint, et ce, même si le moteur est engagé.

### **Le frein de secours :**

Les freins électromagnétiques comprennent une fonction de frein de secours. Lorsque le moteur est engagé et que l'alimentation est coupée, ou lorsque le levier directionnel est à neutre, le quadriporteur s'immobilise. Si le quadriporteur est en mode roue libre (le moteur est désengagé), vous pouvez utiliser le frein de secours manuel. Pour ce faire, placez le levier de roue libre en position engagée.

### **La protection thermique :**

Le panneau de contrôle de votre quadriporteur est équipé d'un dispositif de sécurité thermique. Un circuit surveille la température du panneau de contrôle et du moteur. Dans le cas d'une température excessive du panneau de contrôle et du moteur, l'alimentation est coupée afin de permettre aux composantes électriques de refroidir. Bien que le quadriporteur reprenne une vitesse normale lorsque la température revient sécuritaire, on recommande d'attendre 5 minutes avant de redémarrer afin de laisser le temps aux différentes composantes de refroidir davantage.

# Chargeur de batterie instruction

## Batterie plomb-acide

Nous vous recommandons d'utiliser des batteries à cycle profond sont étanches et sans entretien pour votre scooter électrique. Les deux scellé plomb-acide (SLA) et la cellule de gel sont des batteries à cycle profond et sont semblables dans la performance. Batteries à décharge profonde sont spécifiquement conçus pour fournir de l'énergie, les égoutter vers le bas, puis accepter une recharge relativement rapide. Les batteries au plomb-acide doivent être rechargées fréquemment que possible.

## Spécification des accumulateurs au plomb

Type:	Deep –cycle sealed lead-acid or gel cell
Size:	12AH
Voltage:	12V each
Amp Hours:	12 amp hours

Selon les conditions d'utilisation, le terrain et la conduite, les batteries fourniront une gamme de 15 kilomètres de Voyage. Cependant, même si le scooter de puissance ne est pas en cours d'utilisation, nous recommandons que les batteries sont chargées périodiquement. Note: Ne utilisez pas de batteries automobiles. Ils ne sont pas conçus pour traiter une longue décharge profonde et sont également dangereux pour l'utilisation de la puissance scooter. La durée de vie utile d'une batterie est assez souvent le reflet des soins qu'il reçoit.

**AVIS IMPORTANT:** Ne pas jeter les piles dans le feu. Les batteries doivent être recyclées ou éliminées conformément aux lignes directrices nationales et locales.

## Lithium Battery (11.5A)

Nominal Voltage	24V
Nominal Capacity	11500 mAh
Charging Current	2,000 mA
Charging Time	5-6 Hours
Ambient	Charge 0 C to +45 C (+32 F to 113 F)
	Discharge -20 C to + 65 C (-4F to 140 F)
Temperature Storage	< 30 C (86 F)
Weight	Max 2 Kg

## AVIS IMPORTANT

Afin de maximiser la durée de vie des batteries au lithium, ils doivent recevoir une charge complète avant utilisation et se assurer qu'ils sont complètement rechargées et déconnectées du scooter avant le stockage

## CHARGEUR DE BATTERIE

Le chargeur de batterie prend la tension de prise murale standard (courant alternatif) et le convertit en tension DC (courant continu) .Les batteries fonctionnant au courant pour faire fonctionner votre scooter électrique. Lorsque les batteries sont complètement chargées, l'ampérage du chargeur est presque à zéro. Ce est ainsi que le chargeur recharge sans les surcharger la batterie.

Note 1: Les batteries ne peuvent pas être facturés se ils ont été déchargés à près de zéro tension.

Note 2: Le scooter répondre aux exigences de la norme ISO 7176-14: 2008 et ISO 7176-21: 2003.

Note 3: Ne utilisez que le 4C24050A batterie de type chargeur qui a été fourni par le fournisseur de scooter. L'utilisation de tout type de chargeur peut être dangereux et besoin de l'approbation du fabricant

## INSTRUCTIONS DE CHARGE

Pour recharger les batteries, suivez les étapes ci-dessous:

Placez votre scooter électrique à proximité d'une prise électrique murale standard.

Retirez votre touche pour activer l'appareil hors tension

Faites glisser le couvercle du port du chargeur ouverte.

Branchez le connecteur XLR du chargeur à la prise du chargeur.

Branchez l'autre extrémité du cordon d'alimentation à une prise murale standard.

Lorsque la charge est terminée, l'indicateur de capacité de la batterie est affiché.

Débranchez le cordon d'alimentation du chargeur de la prise murale lorsque les batteries sont complètement chargées.

Rechargez la batterie uniquement lorsque la clé est en position d'arrêt. Lorsque le témoin est en état faible, ce qui confirme les besoins de recharge de la batterie

### Remarque:

Toujours recharger vos batteries dans des zones bien ventilées.

Le chargeur est destiné à une utilisation en intérieur. Protéger de l'humidité.

Pour des performances optimales, il est recommandé de remplacer les deux piles en même temps, si les piles sont faibles. Si le véhicule ne sera pas utilisé pendant une longue période de temps, prendre des dispositions pour les batteries rechargées au moins une fois par mois pour éviter la détérioration des batteries

Selon le type de la batterie et l'état des batteries, ils peuvent généralement être entièrement chargées en 4-10 heures. Ce sera indiquée lorsque le voyant d'état dans le panneau latéral du chargeur de batterie se allume en vert. Chargement de la batterie plus longtemps que nécessaire ne nuira pas à la batterie. Nous vous recommandons de recharger les batteries pendant 8 à 10 heures après l'utilisation quotidienne

### **BATTERY INDICATOR**

Un indicateur de batterie est de fournir des informations sur la gamme de déplacement restant.

<b>Indicator</b>	<b>Travelling Range Remaining</b>
Full	15 km Traveling Range Remaining
Green Area	7~15 km Travelling Range Remaining
Yellow Area	4~7 km Travelling Range Remaining
Red Area	1~4 km Travelling Range Remaining
End	0 Kilometer

# LA MAINTENANCE ET LA REMISE EN ÉTAT

- Veuillez lire les instructions d'utilisation avant d'utiliser le quadriporteur.
- Rechargez les batteries après chaque utilisation.
- Si vous n'utilisez pas le quadriporteur, rechargez les batteries au moins 24 heures par semaine. Cela permet d'optimiser le niveau de l'électrolyte.
- Si vous n'arrivez pas à recharger les batteries (le voyant orange ne devient pas vert) ou si le voyant orange devient vert immédiatement, contactez un technicien. Il se peut que la batterie soit défectueuse.
- La différence de tension entre les deux batteries d'une unité d'alimentation ne peut excéder 0.5 V. Si une telle situation survient, il faut inspecter le boîtier de batteries pour évaluer la propreté et les dommages.
- Si un voyant rouge s'allume, veuillez vérifier que le chargeur n'est pas défaillant et que les connexions de câbles sont correctes.
- Veuillez maintenir les connecteurs de batteries ⊕ et ⊖ propres pour assurer des conditions de chargement optimales.

# LA DIAGNOSTIC DE PANNE ET LA REMISE EN ÉTAT

Le contrôleur P&G S-Drive 45 A : Votre quadriporteur est équipé d'un contrôleur S-Drive qui surveille en tout temps le fonctionnement de votre quadriporteur. S'il détecte un problème, le voyant de mise en marche clignote pour signaler le problème. Vous devez alors compter le nombre de clignotements et consultez cette liste pour diagnostiquer le problème.

Nombre de clignotements	Problème	Effet	Notes
1	La batterie doit être rechargée	La mise en marche fonctionne	La charge de la batterie est basse. Rechargez dans les plus brefs délais.
2	La tension est trop basse	La mise en marche ne fonctionne pas	La charge de la batterie est à zéro. Rechargez les batteries. Si vous éteignez le moteur et vous le laissez reposer quelques minutes, il se peut que la charge de la batterie augmente assez pour permettre une courte utilisation.
3	La tension est trop élevée	La mise en marche ne fonctionne pas	La batterie est surchargée. Si le chargeur est branché, débranchez-le ou réglez le bouton Charge/Run à Run. Les quadriporteurs avec un contrôleur RHINO chargent les batteries lors de la descente d'une pente ou lors de la décélération. Cela peut entraîner un surchargement. Éteignez le quadriporteur et allumez-le de nouveau.
4	La période d'alimentation a été dépassée	La mise en marche ne fonctionne pas	Le quadriporteur a tiré trop de courant durant une période trop longue. Cela peut être le résultat d'une surutilisation du moteur ou encore d'un blocage ou d'un calage du moteur. Coupez l'alimentation, laissez reposer quelques minutes et remettez le quadriporteur en marche. Le contrôleur a détecté un court-circuit dans le moteur. Vérifiez la gaine isolante pour des courts-circuits et vérifiez le moteur. Contactez votre détaillant.
5	Problème avec les freins	La mise en marche ne fonctionne pas	Vérifiez que le levier de frein de secours est engagé. La bobine du frein de secours ou le câblage du frein de secours est défectueux. Vérifiez qu'il n'y a pas de courts-circuits au niveau du frein de secours et du

			câblage. Contactez votre détaillant.
6	Lors de la mise en marche, le levier directionnel n'était pas en position neutre	La mise en marche ne fonctionne pas	L'accélérateur n'est pas en position neutre lorsque vous actionnez la clé. Remplacez l'accélérateur en position neutre, coupez l'alimentation et rallumez l'alimentation. L'accélérateur doit peut-être être recalibré de nouveau. Vérifiez le câblage de l'accélérateur.
7	Problème de vitesse	La mise en marche ne fonctionne pas	L'accélérateur est défectueux. Vérifiez s'il y a des courts-circuits ou des fils exposés. Il se peut que l'accélérateur soit mal installé. Contactez votre détaillant.
8	Problème de tension de moteur	La mise en marche ne fonctionne pas	Le moteur ou le câblage est défectueux. Vérifiez s'il y a des courts-circuits ou des fils exposés. Contactez votre détaillant.
9	Autres	La mise en marche ne fonctionne pas	Contactez votre détaillant.
10	Pousser trop rapidement	La mise en marche ne fonctionne pas	Lors du relâchement des freins de secours, le quadriporteur a été poussé à une vitesse supérieure à celle programmée par le paramètre « Push Speed ». Lors du relâchement manuel du frein de secours, le quadriporteur a été poussé à une vitesse supérieure à celle programmée par le paramètre « Rollaway Speed ». Éteignez le quadriporteur et allumez-le de nouveau.

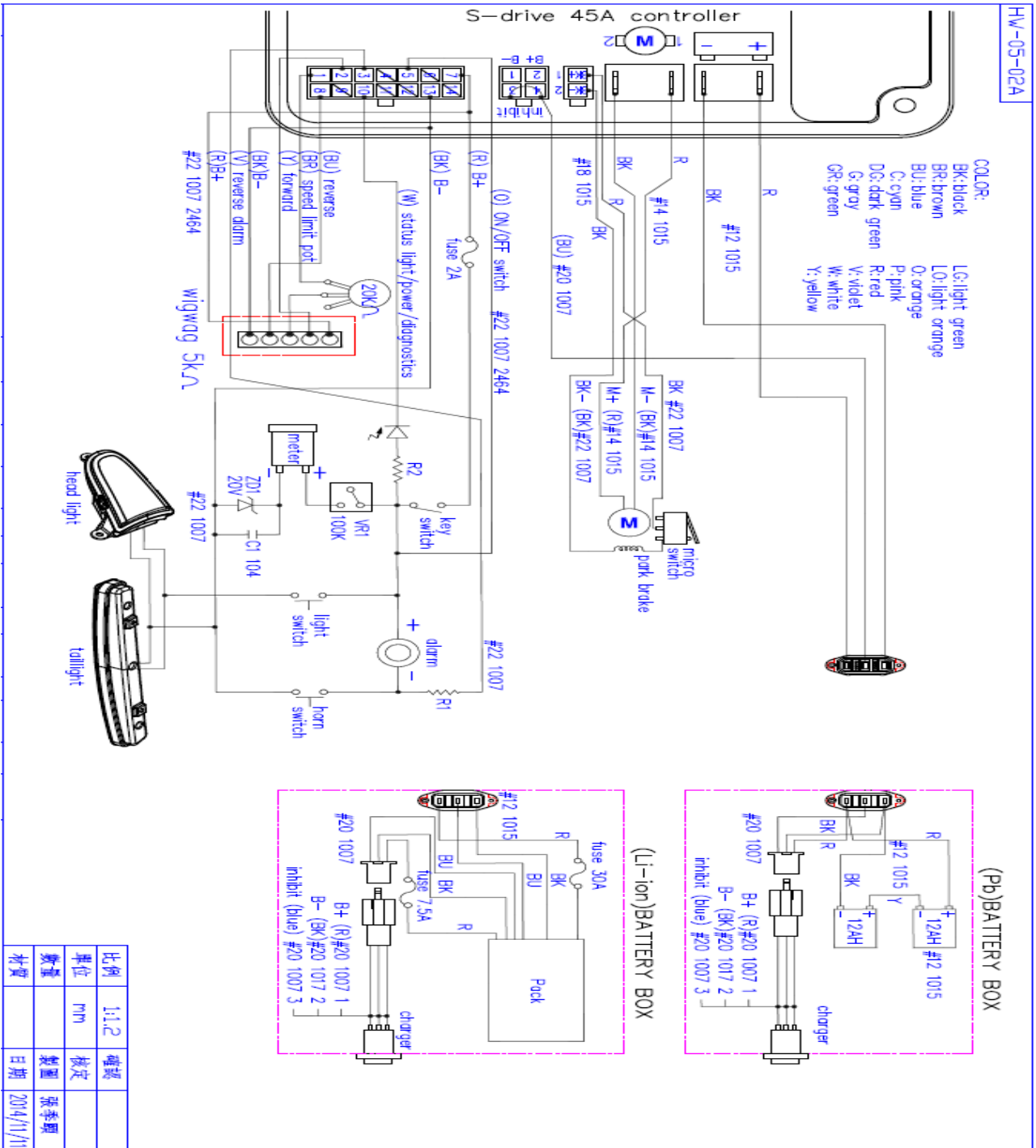
Note:

Si vous rencontrez des difficultés techniques, consultez un détaillant avant de mettre votre propre solution à l'essai.

Les symptômes suivants peuvent indiquer un problème sérieux. Contactez votre détaillant aussitôt que vous remarquez un des problèmes dans cette liste :

1. Un bruit de moteur inhabituel
2. Un câblage effiloché
3. Un connecteur craqué ou cassé
4. L'usure inégale des pneus
5. Un mouvement saccadé
6. Une traction vers le côté
7. Un ensemble de roues endommagé
8. La mise en marche ne fonctionne pas
9. La mise en marche fonctionne, mais le quadriporteur ne bouge pas

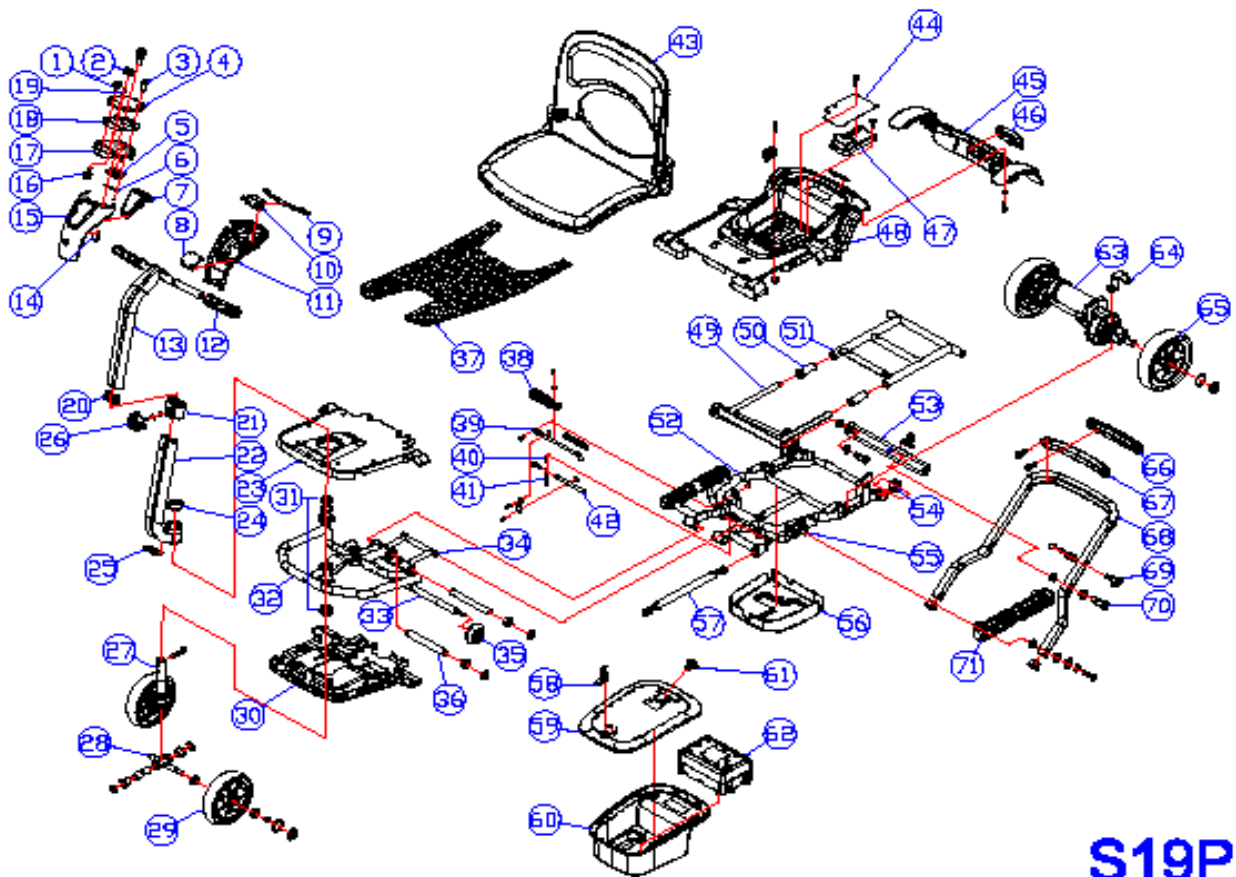
# CIRCUIT DIAGRAM



# BOM LIST DRAWING



- |                              |                           |                             |
|------------------------------|---------------------------|-----------------------------|
| ① HEADLIGHT SWITCH WIRING    | ②⑥ LOCKING KNOB           | ⑤① SEAT OUTER FRAME WELDING |
| ② SPEED ADJUSTING KNOB       | ②⑦ WELDED STEERING STEM   | ⑤② MAIN FRAME               |
| ③ HORN BUTTON WITH WIRING    | ②⑧ FRONT SUSPENSION ASM   | ⑤③ INNER CROSS BAR          |
| ④ COVER                      | ②⑨ FRONT WHEEL            | ⑤④ ANTI-TIPPING WHEEL       |
| ⑤ POWER METER WIRING         | ③⑩ BOTTOM COVER           | ⑤⑤ BOTTOM TUBE WELDING      |
| ⑥ POWER METER BASKET         | ③① STEERING STEM BEARING  | ⑤⑥ PROTECT COVER            |
| ⑦ HEADLIGHT                  | ③② FRONT FRAME            | ⑤⑦ SLIDER BAR               |
| ⑧ PC BOARD                   | ③③ STEERING SHAFT WELDING | ⑤⑧ CAM LOCK                 |
| ⑨ ACCELERATOR                | ③④ CONNECTED BAR ASM      | ⑤⑨ BATTERY COVER            |
| ⑩ WIGWAG                     | ③⑤ ASSISTIVE WHEEL        | ⑥① BATTERY BASE BOX         |
| ⑪ REAR TILLER COVER          | ③⑥ AXIS TUBE              | ⑥② CHARGING SOCKET CIRCUIT  |
| ⑫ HANDLE GRIP                | ③⑦ CARPET                 | ⑥③ LITHIUM BATTERY          |
| ⑬ HANDLE BAR                 | ③⑧ PUSHING JACKET COVER   | ⑥④ TRANSAXLE                |
| ⑭ BUZZER                     | ③⑨ GUILLOTINE PULLING     | ⑥⑤ BREAKET OF TRANSAXLE     |
| ⑮ FRONT TILLER COVER         | ④① SPRING                 | ⑥⑥ REAR WHEEL               |
| ⑯ SPEED POTENTIOMETER WIRING | ④② LOCKING PIN            | ⑥⑦ BACKLIGHT                |
| ⑰ CONTROL PANEL              | ④③ GUILLOTINE PULLING     | ⑥⑧ BACKLIGHT COVER          |
| ⑱ CONTROL STICKER            | ④④ CHAIR                  | ⑥⑨ OUTER CROSS BAR          |
| ⑲ STATUS PILOT WIRING        | ④⑤ COVER                  | ⑦① PULLING KNOB             |
| ⑳ PLUG OF HANDLE BAR         | ④⑥ REAR FENDER            | ⑦② SCREW                    |
| ㉑ PLUG OF STEM               | ④⑦ REAR REFLECTER         | ⑦③ RUBBER DUST COVER        |
| ㉒ STEM                       | ④⑧ CONTROLLER             |                             |
| ㉓ FRONT COVER                | ④⑨ MAIN COVER             |                             |
| ㉔ PLUG                       | ④⑩ FRONT SEAT FRAME       |                             |
| ㉕ WIRE LEADING COVER         | ④⑪ PLUG OF SEAT FRAME     |                             |



**S19P**

# DÉCLARATION DE GARANTIE

## La garantie Heartway

- Le châssis: garantie limitée de deux ans.
- contrôleur: garanti limitée d'un an et demi.
- Les composantes électroniques et le chargeur: garantie limitée d'un an.
- Exclusion de garantie. Les items suivants ne sont pas couverts par la garantie.
  - ✧ Les brosses de moteur    ✧ Les pneus    ✧ Les accoudoirs
  - ✧ Le coussin de siège    ✧ Les fusibles / ampoules    ✧ Le recouvrement de la barre
  - ✧ Le revêtement arrière    ✧ Le revêtement avant    ✧ Les batteries et les pièces consommables

Tout dommage ou défaut causé par un mauvais usage du produit ne sera pas couvert par la garantie. La garantie débute à la réception du produit par le client.