

### IMPORTANT INFORMATION

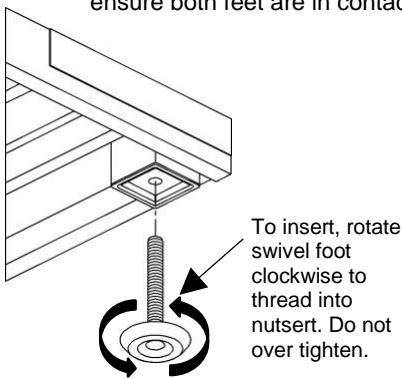
- ⚠ Rated load is 700 pounds, 350 pounds per caster or wheel.  
**Never exceed rated load.**
- ⚠ Read and follow all labels, instructions, safety and maintenance information before use.
- ⚠ For additional care, use or safety information, or to obtain replacement copies, please call 1-800-451-1903 or visit [www.ezaccess.com](http://www.ezaccess.com).
- ⚠ Do not use if ramp is damaged or unstable.
- ⚠ For wheelchairs and scooters only (not intended for commercial use).
- ⚠ Ramp may be slippery when wet or icy.
- ⚠ Use only if sufficient maneuvering room is available at both ends of the ramp to assure safe travel when entering and exiting the ramp.
- ⚠ Use ramp only with a qualified helper and always use your lap belt.
- ⚠ It is important that you refer to your equipment's (wheelchair or scooter) User Guide for the proper degree of incline or decline and chair direction before attempting ramp use. **Never exceed its recommendations.**

### GETTING STARTED

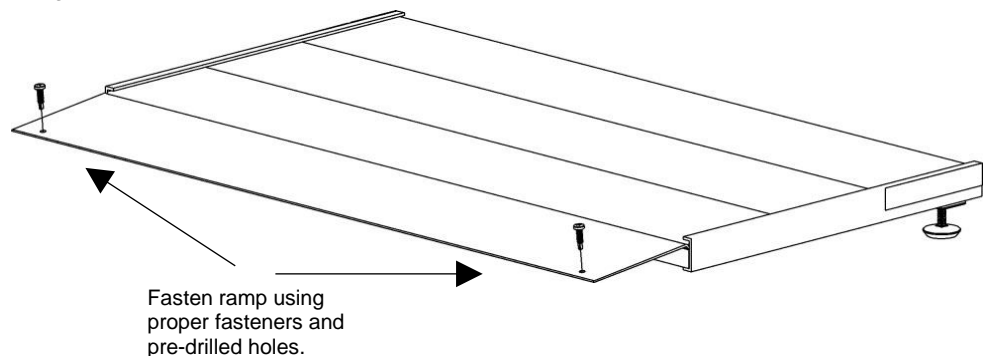
1. The aluminum, self-supporting ramp can be used with or without the supplied adjustable swivel feet. To protect floors, foam, rubber, or other non-abrasive, protective material may be affixed to the underside of ramp.
2. Use the chart below to view the different rise ranges (adjustable range is determined by use of foot size). Measure the rise to determine if the adjustable swivel feet are needed.  
  - 👉 The TAER 24 comes with two sizes of swivel feet.

PART NO.	SWIVEL FEET			
	NO FEET	1"	1-1/2"	2-1/2"
TAER 12	1-3/8"	1-15/16" to 2-3/4"	N/A	N/A
TAER 24	1-11/16"	N/A	2-1/8" to 3-3/8"	3-3/16" to 4-3/8"
TAER 36	3-5/16"	N/A	N/A	3-5/8" to 5-7/8"

3. Position the ramp and adjustable feet as needed to obtain correct height (FIG. 1). Adjust feet as needed to ensure both feet are in contact with the ground.



**FIG. 1**



**FIG. 2**

### FASTENING RAMP TO LANDING

- ⚠ The Transitions Angled Entry Ramp must be fastened to the landing before use.  
    - 👉 Use the two pre-drilled holes in the bottom of the ramp to fasten to the landing or threshold. Wood screws, sheet metal screws, or concrete bolts may be necessary, depending on the application.
1. **ATTACHING TO WOOD**
    - 1.1 Fasten Transitions Angled Entry Ramp by installing one 1/4" x 1" self-drilling stainless steel screw (supplied) through each hole as shown (FIG. 2).
  2. **ATTACHING TO CONCRETE**
    - 2.1 Use the two pre-drilled holes in the bottom of the Transitions Angled Entry Ramp as a template to mark the positions to drill.
    - 2.2 Using a 1/4" masonry bit, drill two holes at the marked locations. Drill to a depth specified by the pin drive anchor manufacturer's instructions.
    - 2.3 After drilling, make sure that the holes are free of any residue and/or debris.
    - 2.4 Align the Transitions Angled Entry Ramp over the drilled holes.
    - 2.5 Install 1/4" x 1 1/2" pin drive concrete anchors (not supplied) into the holes per the pin drive anchor manufacturer's instructions.

### SAFETY & MAINTENANCE

1. Regularly check ramp for damage and tighten any loose fasteners.
2. Keep ramp surface clear of ice, snow, dirt, leaves, and other debris. For snow or ice, remove accumulation and sweep surface clean. To remove dirt, leaves, and other debris, sweeping the surface or using a garden hose will usually suffice. If needed, use a damp cloth or soft brush with non-alkaloid detergent and water. Rinse well and use extra caution if ramp surface is wet.

