



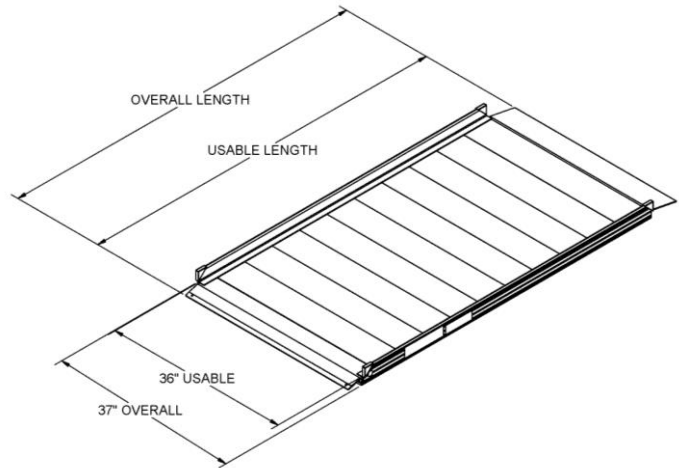
GATEWAY® 3G

Solid Surface Portable Ramp

Technical Specifications

OVERALL

Material : 6000 Series Aluminum
 Slip-resistant Surface : Extruded
 Weight Capacity : 1,000 lbs.
 Warranty Term : Lifetime Limited
 Use : Wheelchairs & Scooters



GATEWAY 3G 3-FT RAMP

Model No. : GATEWAY3G 03
 Usable Size (L x W) : 3' x 36"
 Overall Size (L x W x H) : 3' x 37" x 3.5"
 Curb Height : 2"
 Weight* : 24 lbs.
 Usage Guidelines (Rise)** : Up to 4"

GATEWAY 3G 4-FT RAMP

Model No. : GATEWAY3G 04
 Usable Size (L x W) : 4' x 36"
 Overall Size (L x W x H) : 4' x 37" x 3.5"
 Curb Height : 2"
 Weight* : 30 lbs.
 Usage Guidelines (Rise)** : Up to 6"

GATEWAY 3G 5-FT RAMP

Model No. : GATEWAY3G 05
 Usable Size (L x W) : 5' x 36"
 Overall Size (L x W x H) : 5' x 37" x 3.5"
 Curb Height : 2"
 Weight* : 36 lbs.
 Usage Guidelines (Rise)** : Up to 7"

GATEWAY 3G 6-FT RAMP

Model No. : GATEWAY3G 06
 Usable Size (L x W) : 6' x 36"
 Overall Size (L x W x H) : 6' x 37" x 3.5"
 Curb Height : 2"
 Weight* : 42 lbs.
 Usage Guidelines (Rise)** : Up to 9"

GATEWAY 3G 7-FT RAMP

Model No. : GATEWAY3G 07
 Usable Size (L x W) : 7' x 36"
 Overall Size (L x W x H) : 7' x 37" x 3.5"
 Curb Height : 2"
 Weight* : 50 lbs.
 Usage Guidelines (Rise)** : Up to 10"

GATEWAY 3G 8-FT RAMP

Model No. : GATEWAY3G 08
 Usable Size (L x W) : 8' x 36"
 Overall Size (L x W x H) : 8' x 37" x 3.5"
 Curb Height : 2"
 Weight* : 54 lbs.
 Usage Guidelines (Rise)** : Up to 12"

GATEWAY 3G 9-FT RAMP

Model No. : GATEWAY3G 09
 Usable Size (L x W) : 9' x 36"
 Overall Size (L x W x H) : 9' x 37" x 5.5"
 Curb Height : 4"
 Weight* : 68 lbs.
 Usage Guidelines (Rise)** : Up to 13"

GATEWAY 3G 10-FT RAMP

Model No. : GATEWAY3G 10
 Usable Size (L x W) : 10' x 36"
 Overall Size (L x W x H) : 10' x 37" x 5.5"
 Curb Height : 4"
 Weight* : 72 lbs.
 Usage Guidelines (Rise)** : Up to 15"

* Weights and dimensions are approximate and subject to change.

** Consult your mobility equipment manufacturer for proper degree of incline; never exceed their recommendations.



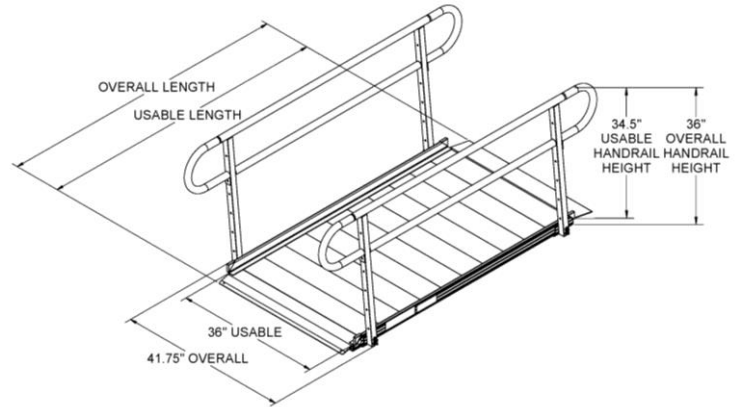
GATEWAY® 3G

Solid Surface Portable Ramp w/Two-line Handrails

Technical Specifications

OVERALL

- Loops : Included
- Material : 6000 Series Aluminum
- Slip-resistant Surface : Extruded
- Handrail Surface : Brushed Finish
- Weight Capacity : 1,000 lbs.
- Warranty Term : Lifetime Limited
- Use : Wheelchairs & Scooters



GATEWAY 3G 3-FT RAMP W/TWO-LINE HANDRAILS

- Model No. : GATEWAY3G 03TL
- Usable Size (L x W x H) : 3' x 36" x 34.5"
- Overall Size (L x W x H) : 3' x 41.75" x 36"
- Curb Height : 2"
- Handrail Length : 2'
- Weight* : 44 lbs.
- Usage Guidelines (Rise)** : Up to 4"

GATEWAY 3G 7-FT RAMP W/TWO-LINE HANDRAILS

- Model No. : GATEWAY3G 07TL
- Usable Size (L x W x H) : 7' x 36" x 34.5"
- Overall Size (L x W x H) : 7' x 41.75" x 36"
- Curb Height : 2"
- Handrail Length : 6'
- Weight* : 74 lbs.
- Usage Guidelines (Rise)** : Up to 10"

GATEWAY 3G 4-FT RAMP W/TWO-LINE HANDRAILS

- Model No. : GATEWAY3G 04TL
- Usable Size (L x W x H) : 4' x 36" x 34.5"
- Overall Size (L x W x H) : 4' x 41.75" x 36"
- Curb Height : 2"
- Handrail Length : 3'
- Weight* : 52 lbs.
- Usage Guidelines (Rise)** : Up to 6"

GATEWAY 3G 8-FT RAMP W/TWO-LINE HANDRAILS

- Model No. : GATEWAY3G 08TL
- Usable Size (L x W x H) : 8' x 36" x 34.5"
- Overall Size (L x W x H) : 8' x 41.75" x 36"
- Curb Height : 2"
- Handrail Length : 7'
- Weight* : 82 lbs.
- Usage Guidelines (Rise)** : Up to 12"

GATEWAY 3G 5-FT RAMP W/TWO-LINE HANDRAILS

- Model No. : GATEWAY3G 05TL
- Usable Size (L x W x H) : 5' x 36" x 34.5"
- Overall Size (L x W x H) : 5' x 41.75" x 36"
- Curb Height : 2"
- Handrail Length : 4'
- Weight* : 60 lbs.
- Usage Guidelines (Rise)** : Up to 7"

GATEWAY 3G 9-FT RAMP W/TWO-LINE HANDRAILS

- Model No. : GATEWAY3G 09TL
- Usable Size (L x W x H) : 9' x 36" x 34.5"
- Overall Size (L x W x H) : 9' x 41.75" x 36"
- Curb Height : 4"
- Handrail Length : 8'
- Weight* : 96 lbs.
- Usage Guidelines (Rise)** : Up to 13"

GATEWAY 3G 6-FT RAMP W/TWO-LINE HANDRAILS

- Model No. : GATEWAY3G 06TL
- Usable Size (L x W x H) : 6' x 36" x 34.5"
- Overall Size (L x W x H) : 6' x 41.75" x 36"
- Curb Height : 2"
- Handrail Length : 5'
- Weight* : 68 lbs.
- Usage Guidelines (Rise)** : Up to 9"

GATEWAY 3G 10-FT RAMP W/TWO-LINE HANDRAILS

- Model No. : GATEWAY3G 10TL
- Usable Size (L x W x H) : 10' x 36" x 34.5"
- Overall Size (L x W x H) : 10' x 41.75" x 36"
- Curb Height : 4"
- Handrail Length : 9'
- Weight* : 106 lbs.
- Usage Guidelines (Rise)** : Up to 15"

* Weights and dimensions are approximate and subject to change.

** Consult your mobility equipment manufacturer for proper degree of incline; never exceed their recommendations.



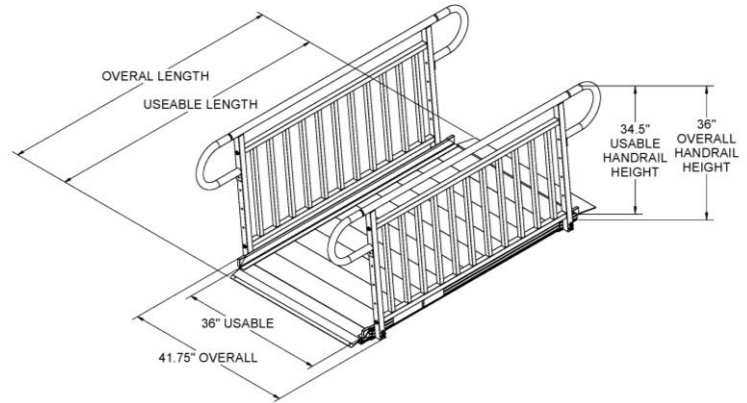
GATEWAY® 3G

Solid Surface Portable Ramp w/Vertical Pickets

Technical Specifications

OVERALL

Loops	: Included
Material	: 6000 Series Aluminum
Slip-resistant Surface	: Extruded
Handrail Surface	: Brushed Finish
Weight Capacity	: 1,000 lbs.
Warranty Term	: Lifetime Limited
Use	: Wheelchairs & Scooters



GATEWAY 3G 3-FT RAMP W/VERTICAL PICKETS

Model No.	: GATEWAY3G 03VP
Usable Size (L x W x H)	: 3' x 36" x 34.5"
Overall Size (L x W x H)	: 3' x 41.75" x 36"
Curb Height	: 2"
Handrail Length	: 2'
Weight*	: 46 lbs.
Usage Guidelines (Rise)**	: Up to 4"

GATEWAY 3G 7-FT RAMP W/VERTICAL PICKETS

Model No.	: GATEWAY3G 07VP
Usable Size (L x W x H)	: 7' x 36" x 34.5"
Overall Size (L x W x H)	: 7' x 41.75" x 36"
Curb Height	: 2"
Handrail Length	: 6'
Weight*	: 90 lbs.
Usage Guidelines (Rise)**	: Up to 10"

GATEWAY 3G 4-FT RAMP W/VERTICAL PICKETS

Model No.	: GATEWAY3G 04VP
Usable Size (L x W x H)	: 4' x 36" x 34.5"
Overall Size (L x W x H)	: 4' x 41.75" x 36"
Curb Height	: 2"
Handrail Length	: 3'
Weight*	: 58 lbs.
Usage Guidelines (Rise)**	: Up to 6"

GATEWAY 3G 8-FT RAMP W/VERTICAL PICKETS

Model No.	: GATEWAY3G 08VP
Usable Size (L x W x H)	: 8' x 36" x 34.5"
Overall Size (L x W x H)	: 8' x 41.75" x 36"
Curb Height	: 2"
Handrail Length	: 7'
Weight*	: 98 lbs.
Usage Guidelines (Rise)**	: Up to 12"

GATEWAY 3G 5-FT RAMP W/VERTICAL PICKETS

Model No.	: GATEWAY3G 05VP
Usable Size (L x W x H)	: 5' x 36" x 34.5"
Overall Size (L x W x H)	: 5' x 41.75" x 36"
Curb Height	: 2"
Handrail Length	: 4'
Weight*	: 68 lbs.
Usage Guidelines (Rise)**	: Up to 7"

GATEWAY 3G 9-FT RAMP W/VERTICAL PICKETS

Model No.	: GATEWAY3G 09VP
Usable Size (L x W x H)	: 9' x 36" x 34.5"
Overall Size (L x W x H)	: 9' x 41.75" x 36"
Curb Height	: 4"
Handrail Length	: 8'
Weight*	: 118 lbs.
Usage Guidelines (Rise)**	: Up to 13"

GATEWAY 3G 6-FT RAMP W/VERTICAL PICKETS

Model No.	: GATEWAY3G 06VP
Usable Size (L x W x H)	: 6' x 36" x 34.5"
Overall Size (L x W x H)	: 6' x 41.75" x 36"
Curb Height	: 2"
Handrail Length	: 5'
Weight*	: 78 lbs.
Usage Guidelines (Rise)**	: Up to 9"

GATEWAY 3G 10-FT RAMP W/VERTICAL PICKETS

Model No.	: GATEWAY3G 10VP
Usable Size (L x W x H)	: 10' x 36" x 34.5"
Overall Size (L x W x H)	: 10' x 41.75" x 36"
Curb Height	: 4"
Handrail Length	: 9'
Weight*	: 128 lbs.
Usage Guidelines (Rise)**	: Up to 15"

* Weights and dimensions are approximate and subject to change.

** Consult your mobility equipment manufacturer for proper degree of incline; never exceed their recommendations.