

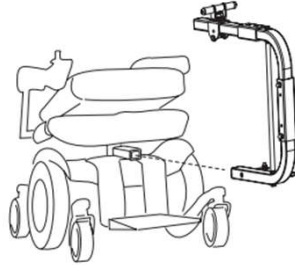
Docking Devices for Insider, Truck and Hoist Lifts

Inside vehicle lifts mount inside a vehicle's cargo area. When using an inside lift, a docking device is required to lift the mobility device in and out of the vehicle. A docking device is an interface between the lift and the power chair or scooter. Most power chairs and scooters can be lifted either by the center seat post or the four-post seat frame. There are a variety of docking devices available for power chair, scooter and manual wheelchair applications. Harmar offers two main types; spreader bars and C-Arms, as well as others to meet most needs.



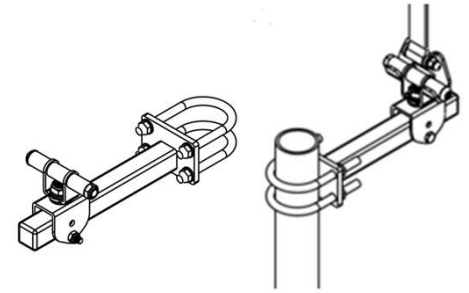
Spreader Bars

- 9 docking devices available
- Used with power chairs
- Lifts mobility device by attaching to the frame or tie down loops
- Designed to work with mobility device adapters
- Each adapter is different depending on the mobility device being lifted
- 3 sizes: 19", 24" and 30"



C-Arms

- 13 C-Arm docking devices available
- Used with scooters and power chairs
- Designed to work with mobility device adapters
- Each adapter is different depending on the mobility device being lifted
- Compatible with scooters and power chairs with:
 - Square receiver
 - Square seat post
 - Round seat post
 - Power seat lift
 - 4-point seat mount
 - Power seat lift 2 1/2" wide



Straight Bar

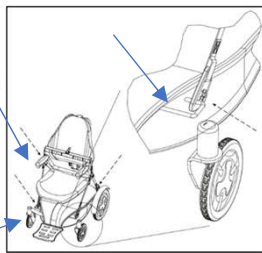
- Seat-off applications for scooters and power chairs



Cable Harness

- Designed to lift small foldable scooters

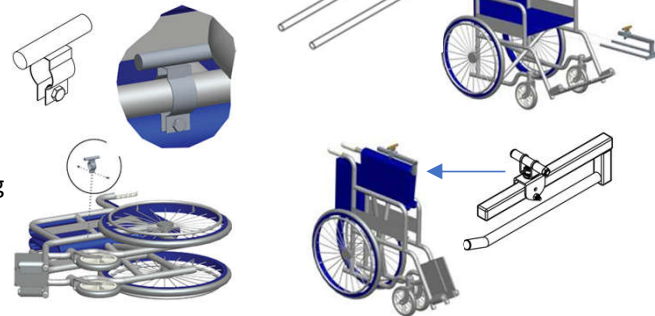
DD45 – 4-Point Docking System



Black Diamond Carabiner attaches to all four tie-down loops of the mobility device.

Manual WC Lifting Bars

- 3 docking devices available
- Lift rigid and folding manual wheelchairs
- Lift folding W/C upright and lying on its side



Harmar Docking Devices*:

(P) Power Chair, (S) Scooter, (M) Manual WC

C-Arms		Spreader Bars		Straight Bar	Cable Harness	Manual W/C Lifting Bars
DD13 (S)	DD38 (P)	DD20 (P/S)	DD37 (P)	DD17 (P/S)	DD39 (S)	DD22
DD19 (P/S)	DD40 (P/S)	DD21 (P/S)	DD43 (P)			DD23
DD24 (P/S)	DD41R1 (P)	DD27 (P)	DD45 (P)			DD34
DD28 (P/S)	DD44 (P)	DD32 (P)	DD48 (M)			
DD29 (S)	DD46 (S)	DD36 (P)				
DD30R1 (P/S)	DD49 (S)					
DD33 (P)						

*Specific DD's are specified in Harmar's Compatibility Calculator based on lift/chair information