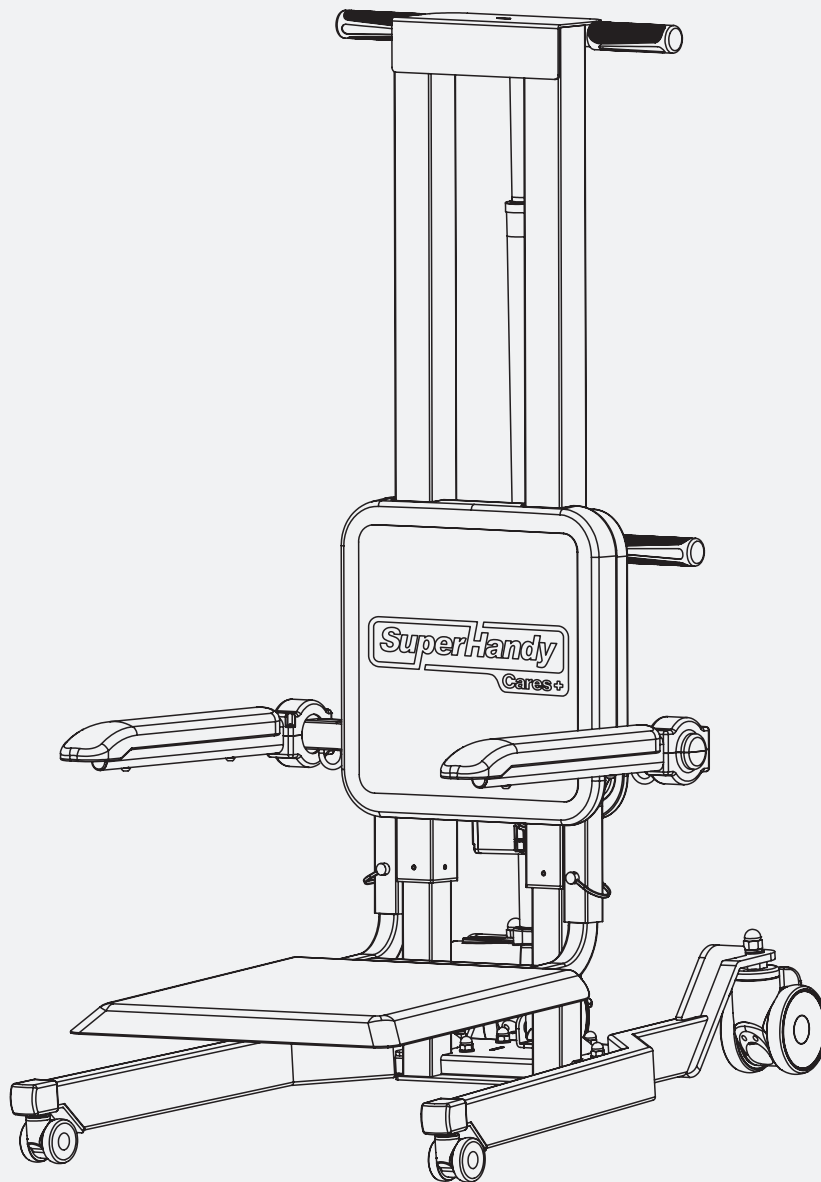




Transfer Floor Lift | GUT169 Operator's Manual



GoRise TX



Warning: Please read and thoroughly understand all instructions before operating. Failure to follow safety rules and other basic safety precautions may result in serious personal injury. Keep these instructions in a safe and easily accessible place so that they can be referred to when needed. Retain these instructions to assist in future servicing.

INDEX

Warning	2
Technical Specifications	3
Main Components	4
Parts Overview	5
Assembly	6-8
Operation	8-9
Maintenance & Storage	10
Warranty	10

Warning

This product is designed to assist individuals with limited mobility, including seniors, those recovering from injuries, and others who may need help with standing up or short-distance transfers. It is intended for daily use to aid in getting up, moving between short distances, or transitioning between seated positions. This device is not designed to replace specialized medical lifts or emergency equipment and should always be used with caregiver assistance.

Common Use Cases:

- Assisting with Standing Up:** If an individual cannot get up independently, a caregiver can roll the device near the person, lock the wheels, and help them move gradually onto the seat. Once secured with the safety belt and using the remote control, the device gently lifts the individual to a height where they can sit or stand safely. Ex: Moving from the floor to a chair or from the bedroom floor to a bed.
- Help with Transfers:** For short-distance transfers, a caregiver can position the device, lock the wheels, and help the individual onto the seat. The caregiver can then guide the device to a new location, raise the seat for movement, and assist the individual in completing the transfer. Ex: Moving from the living room to a car seat or a wheelchair.
- Combined Lifting and Transfers:** The device can assist with both lifting and short transfers, as described above.

Certain conditions may affect how the transfer lift operates safely and correctly. These include: Thresholds, uneven floors, obstacles, and thick carpets, which may prevent the wheels from rolling smoothly or cause imbalance. Such conditions can increase the effort required by the caregiver to operate the device. Before using the lift, evaluate whether the individual is suitable for this device by considering: Weight, size, and physical condition (e.g., joint mobility) Mental capacity to remain steady and follow instructions. For safety, individuals who may not be appropriate for this lift should not use it without assistance. Ensure a caregiver is nearby or that an alarm system is within reach in case of emergencies.

- Do not exceed the maximum weight capacity of the transfer lift.
- Always ensure the seat is used on flat, stable surfaces; avoid slopes, steps, or uneven floors.
- Do not leave the patient unattended during use.
- Sit steadily and securely on the seat before operating the device.
- Do not use if any parts are damaged, loose, or missing.
- Charge the battery only in temperatures between 32°F and 120°F (0°C to 45°C).
- Store the battery in a cool, dry place and recharge it at least every 3 months if unused for extended periods.
- Avoid exposing the battery to extreme heat, fire, or moisture.
- Use the battery only within the safe range of -4°F to 140°F (-20°C to 60°C).
- Do not modify the product or attempt unauthorized repairs.
- Keep hands and feet clear of moving parts to avoid injury.
- Unbalanced seating or lifting can cause tipping hazards and may damage the device.

Technical Specifications

SKU#	GUT169
Max Load Capacity	500 lb (237 kg)
Lifting Range	1~28.5 in. (25~725 mm)
Lifting Speed	0.4 in/s (10 mm/s)

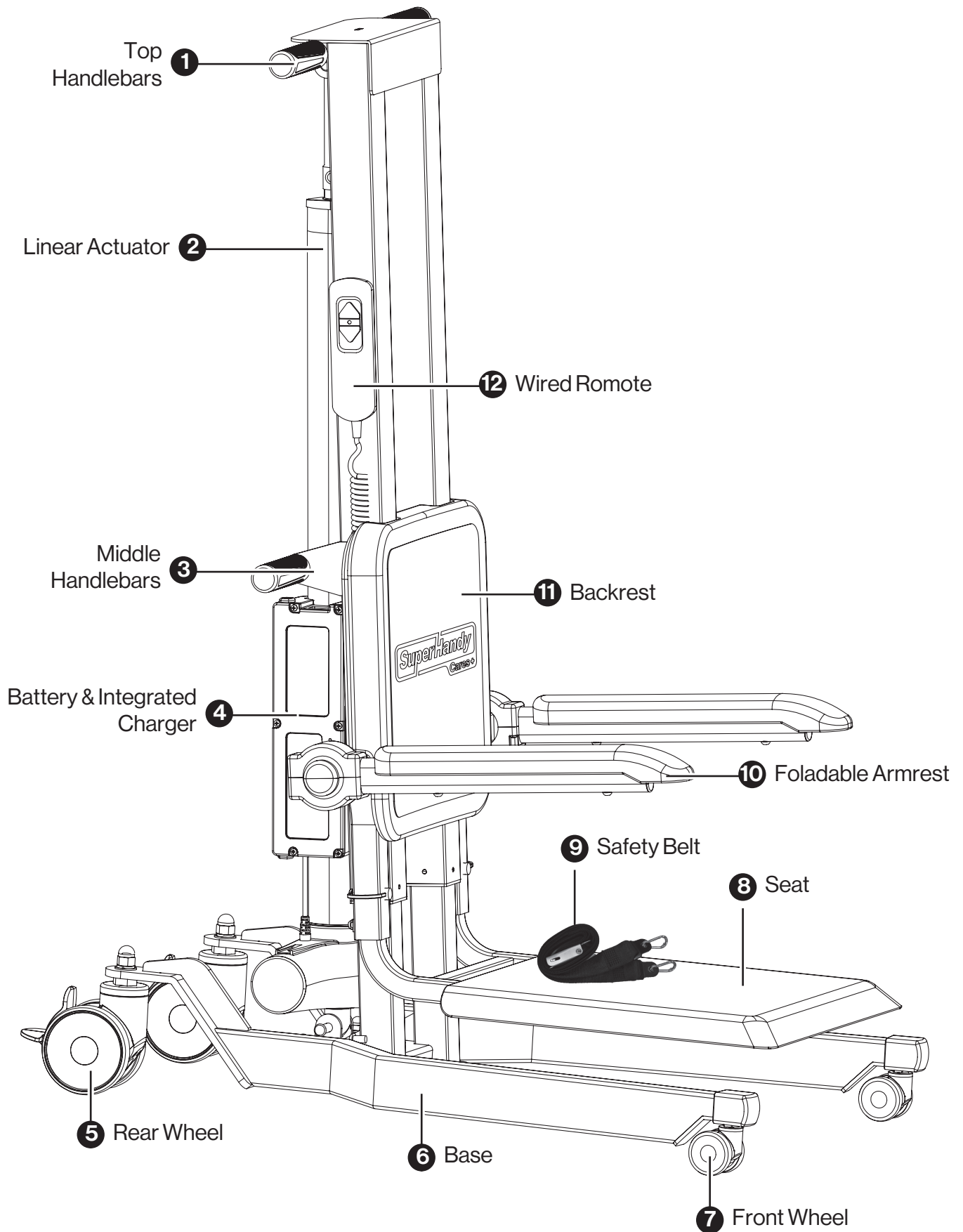
Actuator Specifications	
Rated Voltage	24 Vdc
Stroke	0~27.6 in. (0~700 mm)
Duty Cycle	2 min on 18 min off (max. 10%)
Max. Load	3000 N

Battery Specifications	
Max. Output Voltage	25.9 Vdc
Max. Output Current	5 A
Input Voltage	24~30 Vdc
Capacity	2000 mAh

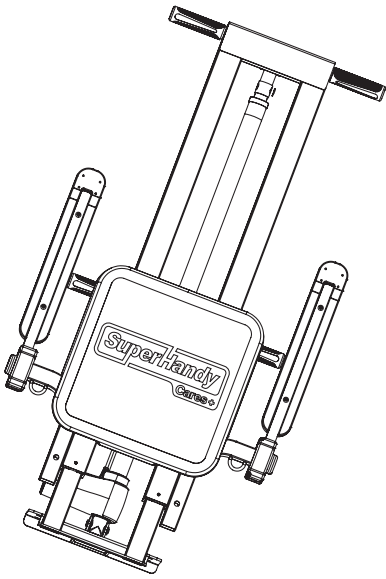
Power Adapter (Charger)	
Input	100~240 Vac, 50/60 Hz, 1.5 A
Output	29Vdc, 2 A

Wheels	
Rear Wheels	4" Inches (x2)
Front Wheels	2" Inches (x2)

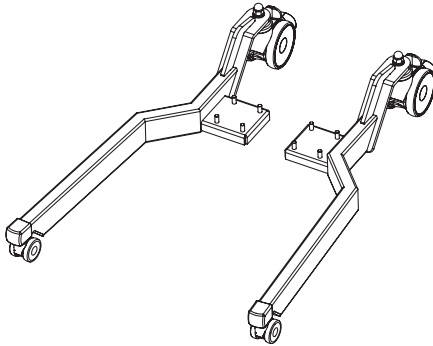
Main Components



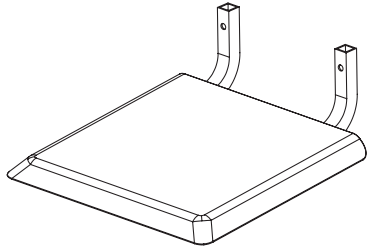
Parts Overview



Main Lift Assembly



Left & Right Base



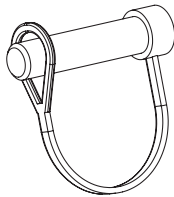
Seat



Safety Belt



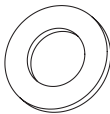
Wired Remote



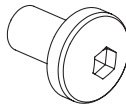
D-Pin



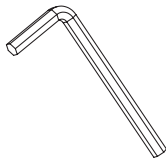
M8 Cap Nut (x8)



M8 Flat Washer (x8)



M8x14 Allen Head Screw (x2)

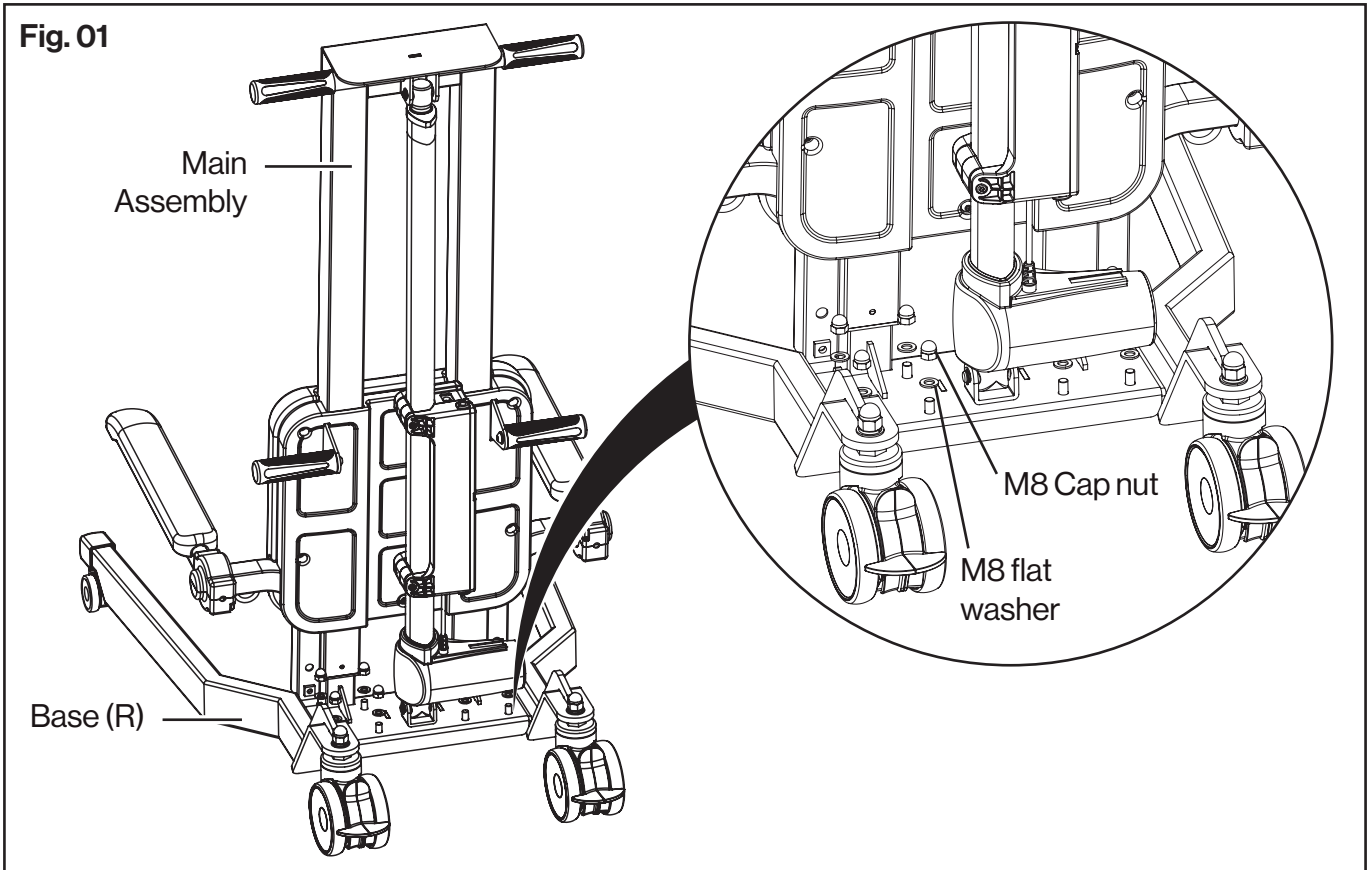


Allen Wrench

Assembly

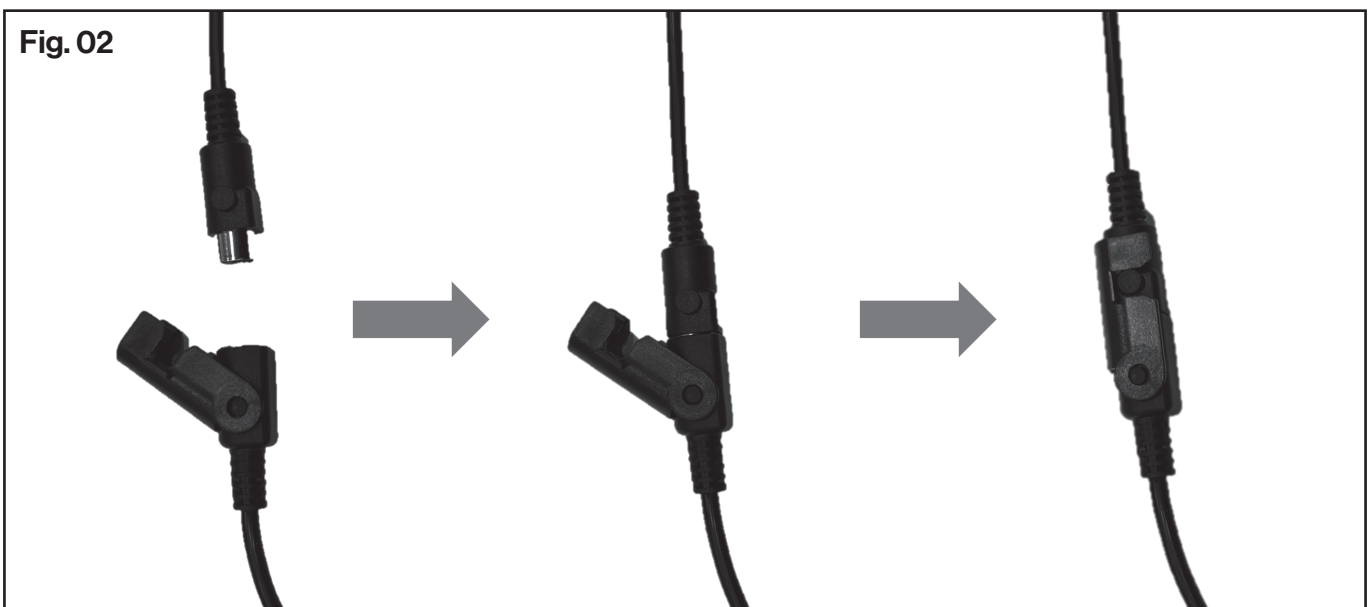
Attaching the Main Assembly to the Base

Align the mounting holes on the main assembly with the left and right bases. Secure the main assembly to the bases from top to bottom using M8 flat washers and cap nuts. **(Fig.01)**

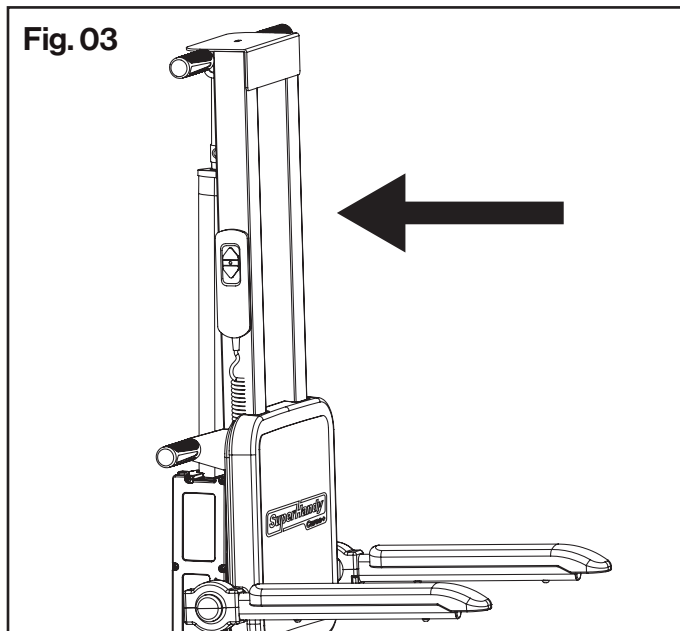


Connecting the Remote

Insert the connector of the wired remote to the connector of the actuator as shown in the figure below. **(Fig.02)**



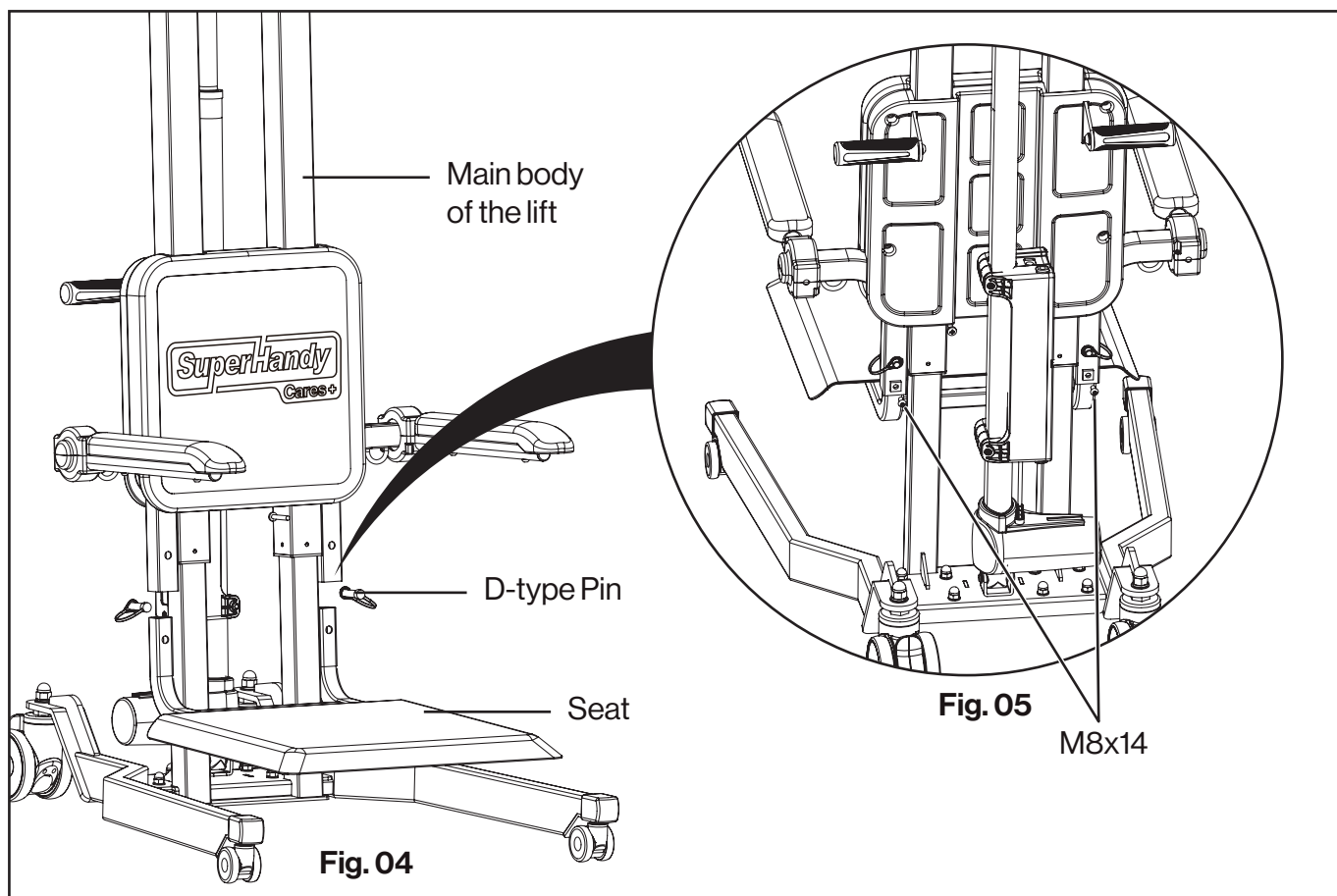
After connecting, place the wired remote onto the main body. The magnetic attraction will hold it securely, making it easy to pick up and return. Refer to the figure drawing. **(Fig.03)**



Installing the Seat

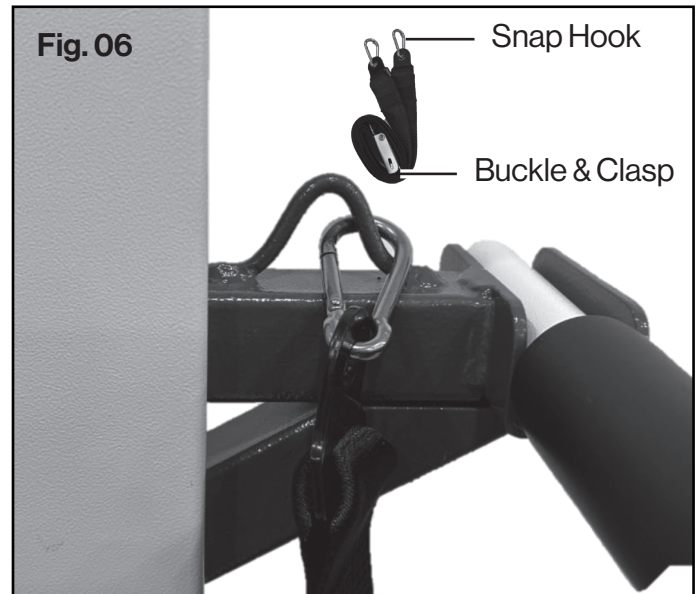
Press the up button on the remote to raise the lift about 10 inches.

Insert the two square tubes of the seat assembly into the square tubes of the floor lift, align the mounting holes, and insert a D- Pin to secure them **(Fig. 04)**. Finally, tighten the Allen head screws to attach the seat to the main assembly. **(Fig.05)**



Safety Belt

Lock the safety belt's snap hook onto the belt anchor point, just like in. **(Fig. 06)**



Operation

Pre-check

Evaluate whether the user is suitable for the device by considering aspects such as weight, body size, psychological capacity, and joint mobility. Press the up/down button on the remote to ensure the chair automatically tilts backward and confirm that the chair is rising/lowering normally.

Secure the User Safely

Before transferring the user onto the seat, unbuckle the safety belt. After the user is properly positioned, buckle and tighten the safety belt securely to ensure safety. (Fig.07 & 08)

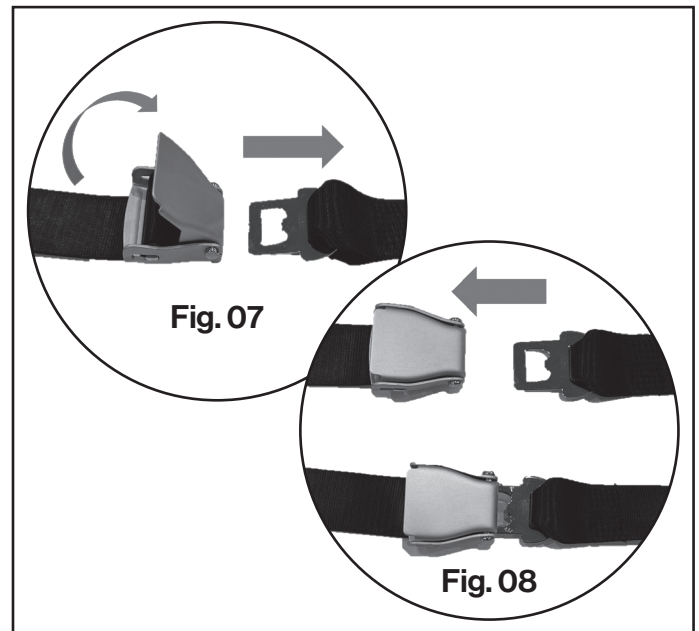
Lifting and Lowering

Lock the casters to prevent movement during the lift. Press and hold the up or down button on the wired remote to lift or lower the user to the desired position. Release the button to stop the motion. **(Fig.09)**

Indicator Light

- Flashing Green Light: The lift is moving up or down when the button is pressed.
- Flashing Red Light: The battery is low and needs to be recharged. In emergencies, if the battery is too low, the device can be used by plugging it into an AC Power outlet/supply (100-240V, 50/60Hz).

Note: The maximum travel distance for lifting or lowering is 27.6in (700mm). When the seat is at its highest position, holding the up button will not allow it to rise further; similarly, when the seat is at its lowest position, holding the down button will not allow it to descend further.



Personnel Transfer

When Assisting a Person with Transfers:

- Assist the person into a seated position and secure them with the safety belt. Ensure their back is firmly against the backrest and their body is centered in the seat, avoiding leaning to either side. Adjust the seat height so their feet are 4-6 inches (10-15 cm) off the ground to prevent dragging, which could cause injury or damage.
- Avoid raising the person to an unnecessary height during transfers.
- Move the device at a walking pace or slower.
- When reaching the destination, slow to a stop and engage the brakes before performing any other actions.

WARNING

- Lock casters before lifting. Don't allow the user to move during lifting. Release the brakes before moving the lift.
- Ensure the person is seated correctly and at the appropriate height.
- Avoid accidentally engaging the brakes while moving the lift to prevent the device and occupant from tipping forward.

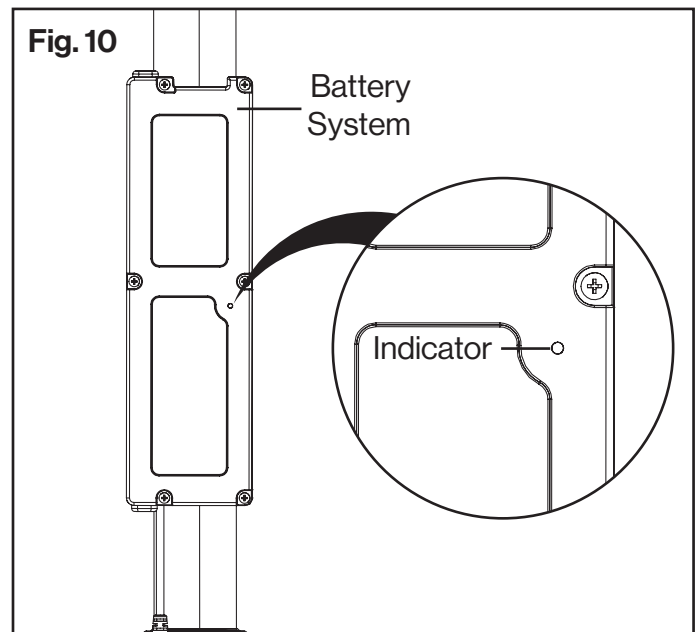
Battery Charging

Plug the device into an AC power outlet (100-240V, 50/60Hz). The battery system indicator will turn red while charging and switch to green when fully charged. Charging typically takes about 4 hours.

(Fig.10)

Dual Power Mode

This floor lift supports two power supply modes. It can operate on battery power when charged, allowing cordless use. If the battery is low, the power adapter (which also functions as a charger) can be connected to an AC power outlet, enabling the lift to continue operating while plugged in. The operation process remains the same in both modes.



Maintenance & Storage

- The floor lift does not require regular maintenance. Keeping the battery charged helps to extend its lifespan.
- Although the floor lift is very durable and functions well both indoors and outdoors, it is recommended to store it indoors when not in use.

Warranty

Warranty covers twelve (12) months for workmanship of the product, except for wearing parts.

Warranty period starts from the product purchase date. Warranty covers material quality and workmanship only. Warranty does not cover product for issues caused by improper usage or any operation not in accordance with the specifications of this manual. Any modification or tampering with the product in any way voids the warranty.



Thank you for supporting our brand!

superhandyus.com



Great Circle USA
Support Line: 1-866-493-0524
help@greatcircleus.com
www.superhandyus.com



Follow us on social media
@SuperHandy